

**36" Hustler Super S Parts Manual  
- 938803CE -  
HTSUPR036KAWFS541VC**

General Information .....	1
<b>Frame &amp; Engine Guard</b>	
Frame .....	3-1
Foot Platform .....	3-2
<b>Hydraulic &amp; Steering</b>	
Hydraulic System .....	4-1
Reservoir Assembly Breakdown .....	4-2
Left Pump Assembly Breakdown .....	4-3
Right Pump Assembly Breakdown .....	4-4
Hydraulic Pump Service Parts .....	4-5
Wheel Motor Breakdown .....	4-6
Pump Drive .....	4-7
Steering (Multi-Page) .....	4-8
Brake .....	4-9
<b>Wheels &amp; Tires</b>	
Wheel & Tire .....	5-1
Front Wheel Assembly Breakdown .....	5-2
Drive Wheel Breakdown .....	5-3
<b>Engine &amp; Fuel System</b>	
Engine .....	6-1
Engine Service Parts .....	6-2
Fuel System .....	6-3
<b>Electrical</b>	
Battery .....	7-1
Instrument Panel & Wire Harness .....	7-2
<b>Deck</b>	
Service Deck .....	8-1
Deck Pulleys & Spindles .....	8-2
Deck .....	8-3
Dust Shield .....	8-4
Deck Lift & Mounting Hardware (Multi-Page) .....	8-5
Appendice AIndice pagine .....	A
Appendice BIndice parti .....	B



---

## General Information

*Note:* When ordering parts, you must use the part number as shown for each part, not the index number. Always give the model and serial number to your parts and service representative.

*Note:* Items sold in bulk such as seals and hoses are sold by the foot.

---

### **Using This Manual**

This manual is part of a service package for the Hustler® mowers. Use of this manual in conjunction with other Hustler® mower and component manuals will provide the information necessary to service and maintain Hustler® mowers.

This Parts Manual provides a complete parts listing for the unit. Use this manual when ordering parts. Illustrations used were current at the time of printing, but subsequent production changes may cause your machine to vary slightly in detail. Excel Industries, Inc. reserves the right to redesign and change the machine as deemed necessary, without notification. If a change has been made to your machine which is not reflected in this parts manual, see your authorized dealer for current information and parts.

The Service Manual is a service guide for use by Service Technicians. It provides the necessary information needed to perform normal maintenance requirements on these units.

The Operator's Manual provides fundamental operational information and operational safety that is needed when operating the mower.

The component manuals are furnished by the various manufacturers to be used for the troubleshooting and servicing of their products.

### **Hardware Description Codes & Abbreviations**

The following codes are used throughout this parts manual. Refer to this list when ordering parts.

ABBREVIATION	DESCRIPTION	ABBREVIATION	DESCRIPTION
CB	CARRIAGE BOLT	MB	MACHINE BUSHING
CE	CLEVIS PIN	MS	MACHINE SCREW
CN	CLIP NUT	NT	NUT
CP	COTTER PIN	SC	SELF TAPPING CAP SCREW
CS	CAP SCREW	SH	SOCKET HEAD
CW	CUP WASHER	SB	SHOULDER BOLT
FDRW	FENDER WASHER	SS	SET SCREW
FW	FLAT WASHER	OD	OUTSIDE DIAMETER
HX	HEX HEAD	ID	INSIDE DIAMETER
LW	LOCK WASHER	WN	WELD NUT

---

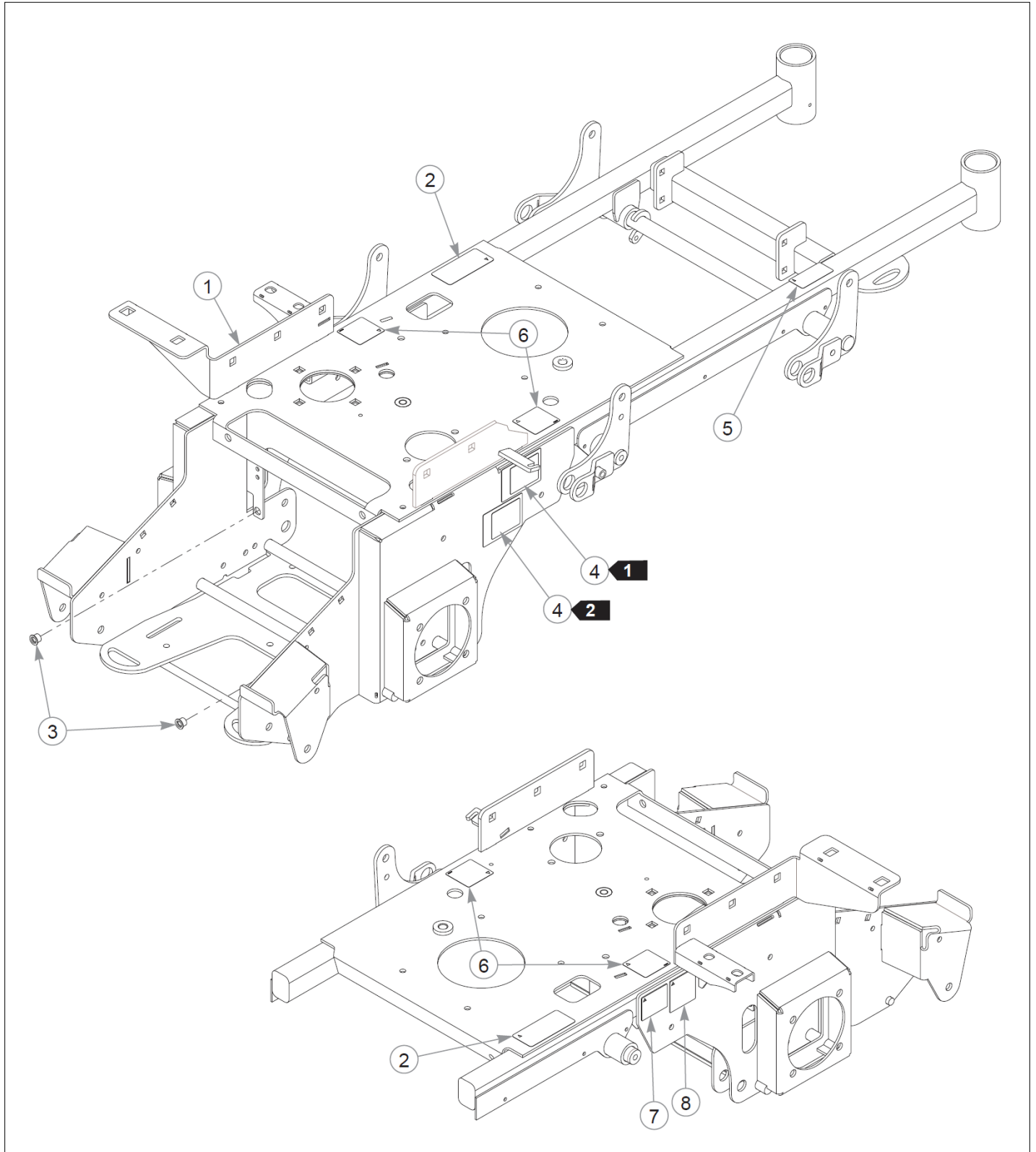
### **Standard Torques**

The following chart lists the standard torque values for the threaded fasteners found in this manual. Torque all cap screws, nuts and set screws to these values unless a different torque is shown in the Notes section next to the fastener.

SIZE	FT-LBS	N•M	SIZE	FT-LBS	N•M
.250	8.2	11.1	M3	1	1.3
.312	17	23	M4	2.2	3
.375	30	40	M5	4.5	6.1
.438	48	65	M6	7.7	10.4
.500	73	99	M8	18.5	25
.562	105	143	M10	37	50
.625	145	200	M12	64	87
.750	260	350	M14	80	108.5
.875	420	565	M16	160	215
1.00	625	850	M20	320	435
			M24	555	750

---

### Frame & Engine Guard



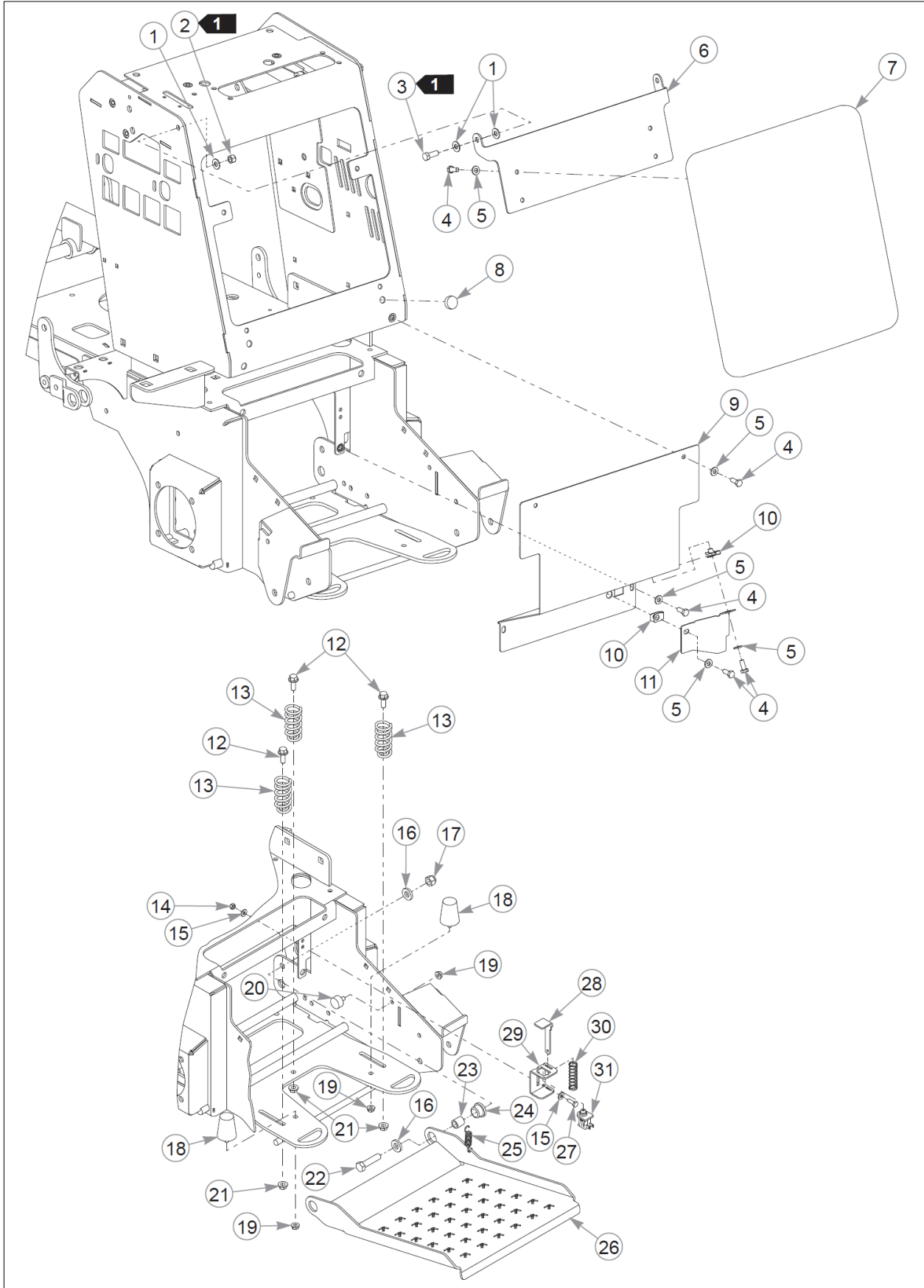
Elemento	Parte n.	Nome	Q.ta	Udm
1	554669	SVC FRAME	1	EA
2	606323	DECAL, ENGINE PLATE	1	EA
3	808485	RIVET NUT, 5/16-18 THRE	2	EA
4	N/A	SERIAL NUMBER / SPEC DECAL	2	EA
5	602041	DECAL, HOT	1	EA
6	602562	DECAL, NO SERVICE	2	EA
7	776310	DECAL, CE MARK	1	EA
8	794834CE	CE 100 DBA LIMIT DECAL	1	EA

Comments for Page: Frame

jmumford@excelii.com on Apr 19, 2018

1. Serial number decal. In the event the serial number decal becomes damaged or illegible, please contact your dealer to order a replacement.2. EPA compliance decal.3. The frame includes decals and rivet nuts.

### Frame & Engine Guard

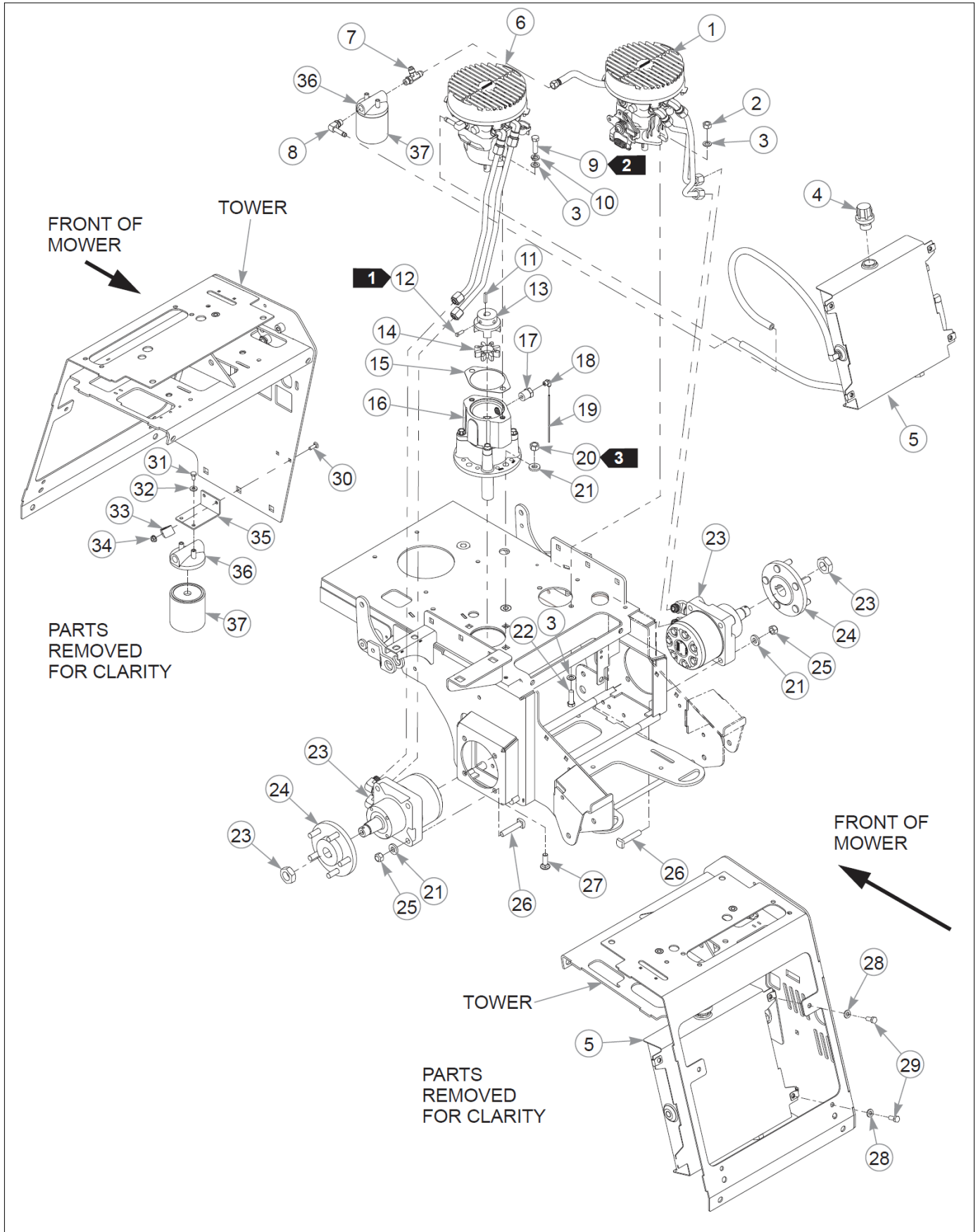


Elemento	Parte n.	Nome	Q.ta	Udm
1	767954	FW 0.379X.82X.06 HD ZY	6	EA
2	086660	NT .375-16NLG8	2	EA
3	036244	CS .375-16X1.00 HX G5 ZY	2	EA
4	034280	CS .312-18X0.750HXG5	10	EA
5	768523	FW 0.343SAE	10	EA
6	122580	PAD MOUNT	1	EA
7	605282	PAD, TOWER	1	EA
8	781880	BUMPER, .500x 1.00x .31	2	EA
9	122663	DIVERTER SHIELD	1	EA
10	601069	CN .312-18x.200 MAX THK	2	EA
11	122785	SPRING SHIELD	1	EA
12	029751	CS .375-16X1.00 HXF G5ZY	3	EA
13	606286	SPRING	3	EA
14	068551	NT .250-20 HXZY NL	2	EA
15	768515	FW 0.281SAE	4	EA
16	767962	FW .531 x 1.063 x .175	4	EA
17	781567	NT .500-13NLG5	2	EA
18	606845	BUMPER, CONICAL 2.00	2	EA
19	016832	NT .312-18FLKG5	4	EA
20	605960	ISOLATOR, 1.00" DIA	2	EA
21	016899	NT .375-16 FLKG5	3	EA
22	078949	CS .500-13X2.000 FUL HX	2	EA
23	122241	FLOOR PAN PIVOT	2	EA
24	781153	BUSHING, UHMW	2	EA
25	034652	SPRING 2.5	1	EA
26	122082	FLOOR PAN	1	EA
27	055939	CS .250-20X0.75 HX G5 ZY	2	EA
28	122625	OPC PLUNGER BRKT	1	EA
29	122626	OPC SWITCH MOUNT	1	EA



Elemento	Parte n.	Nome	Q.ta	Udm
30	601580	COMPRESSION SPRING	1	EA
31	606262	SWITCH, N.O. PLUNGER	1	EA

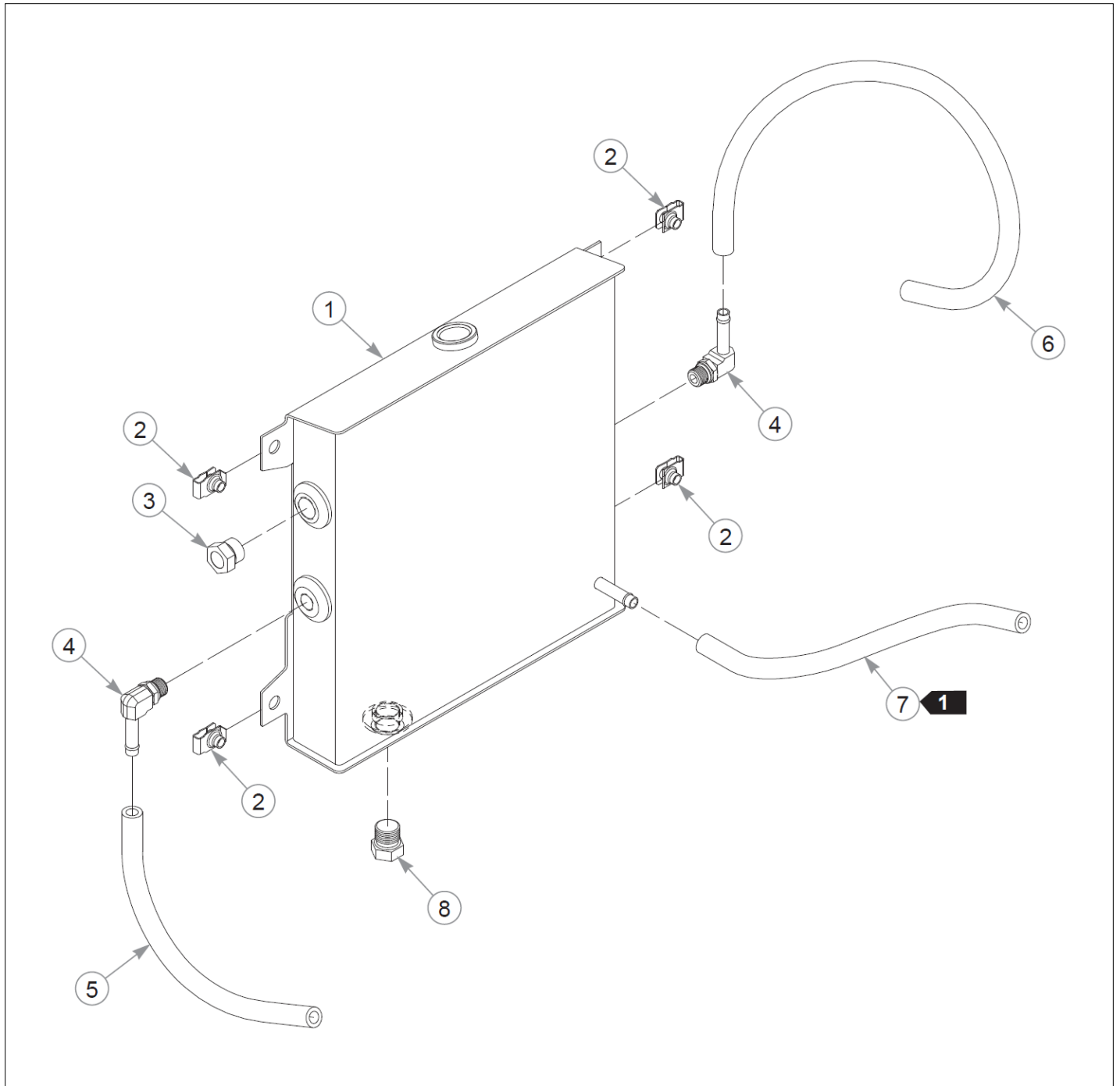
### Hydraulic & Steering



Elemento	Parte n.	Nome	Q.ta	Udm
1		REFER TO "RIGHT PUMP ASSEMBLY BREAKDOWN"	1	EA
2	041707	NT .437-14HXG5	2	EA
3	704742	FW 0.453X0.812X0.060	6	EA
4	606198	OIL RES BREATHER	1	EA
5		REFER TO "RESERVOIR ASSEMBLY BREAKDOWN"	1	EA
6		REFER TO "LEFT PUMP ASSEMBLY BREAKDOWN"	1	EA
7	763953	FTG T,-6 O-RING/-6J	1	EA
8	787465	FTG, 90°-6MORB/-6BT	1	EA
9	606200	CS .437-20X1.50 HXG5	2	EA
10	606176	LW .437 MED ZC	2	EA
11	768127	KEY 5mm x30mm RADIUS EN	1	EA
12	606263	SS .250-20 X .750 SQ	2	EA
13	606184	PUMPSIDE COUPLING	1	EA
14	605980	LH100 SPIDER 92A YELLOW	1	EA
15	606266	JACKSHAFT GASKET	1	EA
16	606183	JACKSHAFT ASSEMBLY	1	EA
17	606327	FTG, 1/2X1/8 PTR-S VIBRA	1	EA
18	606267	FTG, W369PLP-2-2 NPT	1	EA
19	606353	NYLON TUBE, 1/8"	1	EA
20	008193	NT .500-13HXG5	4	EA
21	767962	FW .531 x 1.063 x .175	12	EA
22	705186	CS .437-14X1.375HXG5	2	EA
23		REFER TO "MOTOR ASSEMBLY BREAKDOWN"	2	EA
24	773002	HUB, 5-BOLT REAR 4WD	2	EA
25	023317	NT .500-13UNTG8	8	EA
26	602256	CS .500-13X2.500 SQ G5	8	EA
27	028274	CB .500-13X 1.500 FULL	4	EA

Elemento	Parte n.	Nome	Q.ta	Udm
28	768523	FW 0.343SAE	4	EA
29	034280	CS .312-18X0.750HXG5	4	EA
30	794784	CB .250-20 X .75 FUL ZN	2	EA
31	055947	CS .250-20X0.50 HX G5 ZY	2	EA
32	768515	FW 0.281SAE	2	EA
33	043570	CLIP - HOSE - SINGLE(FS)	1	EA
34	016816	NT .250-20FLKG5	2	EA
35	122481	BRACKET, OIL FILTER	1	EA
36	768333	FILTER HEAD ZINGA BF SE	1	EA
37	768341	FILTER ELEMENT	1	EA

Hydraulic & Steering



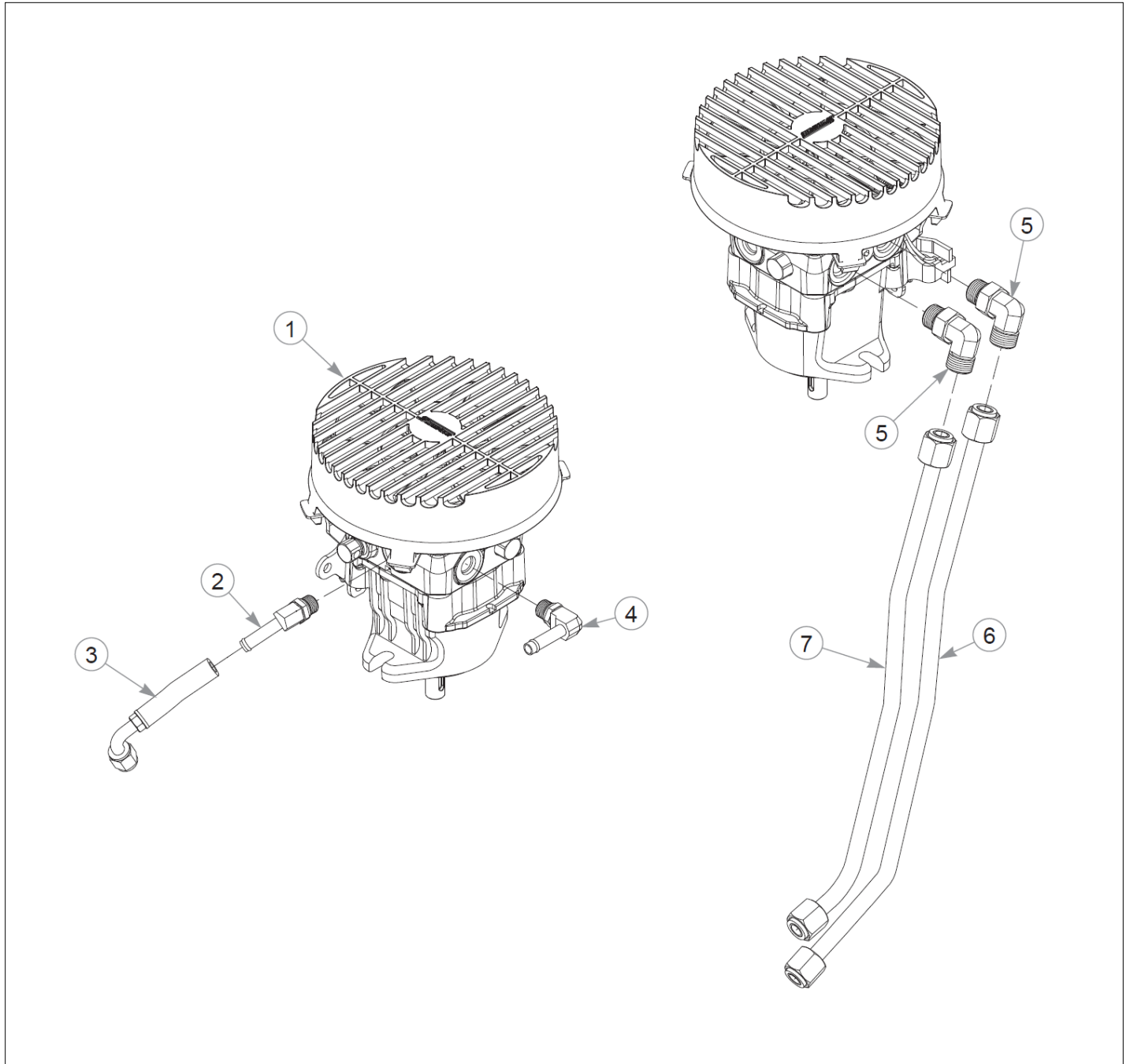
Elemento	Parte n.	Nome	Q.ta	Udm
1	606238	RESERVOIR W/A	1	EA
2	601069	CN .312-18x.200 MAX THK	4	EA
3	606249	FTG, SIGHT GLASS	1	EA
4	787465	FTG, 90°-6MORB/-6BT	2	EA
5	606109	RH PUMP RETURN HOSE	1	EA
6	606108	LH PUMP RETURN HOSE	1	EA
7	606110	MAIN SUCTION HOSE	1	EA
8	781658	FTG, -8MORB/HEX PLUG	1	EA

Comments for Page: Reservoir Assembly Breakdown

jmumford@excelii.com on Mar 2, 2016

1. The hose (606110) comes with an AS-B protective sleeve.

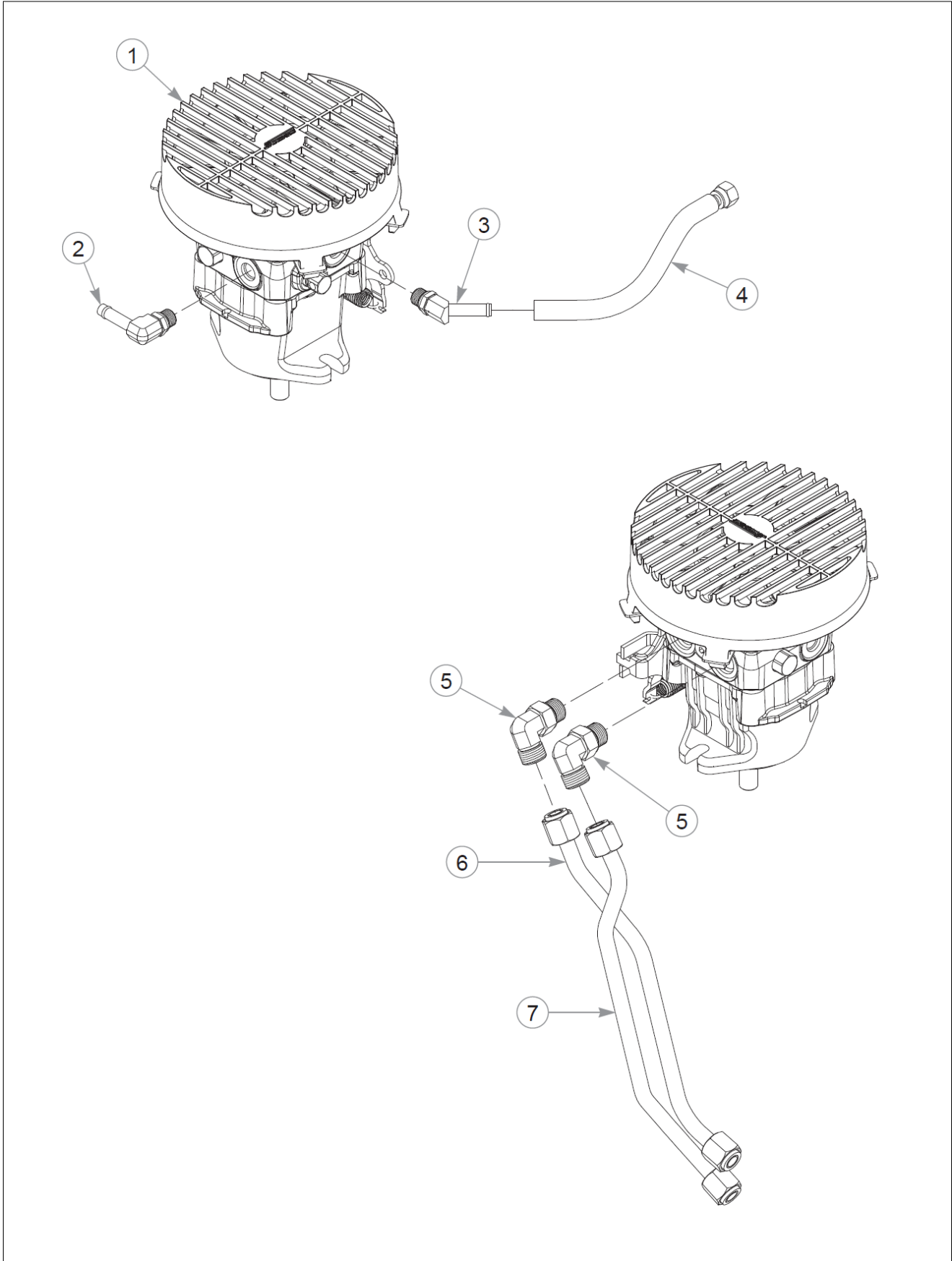
Hydraulic & Steering



Elemento	Parte n.	Nome	Q.ta	Udm
1	605259	PUMP, HG 10cc W/ FAN	1	EA
2	784108	FTG, 45°-6MORB/-6BT	1	EA
3	606111	LH PUMP SUCTION HOSE	1	EA
4	787465	FTG, 90°-6MORB/-6BT	1	EA
5	781542	FTG, 90°-8MORB/-8MORFS	2	EA
6	606272	TUBE, RP-BM LH LOOP	1	EA
7	606271	TUBE, LP-TM LH LOOP	1	EA

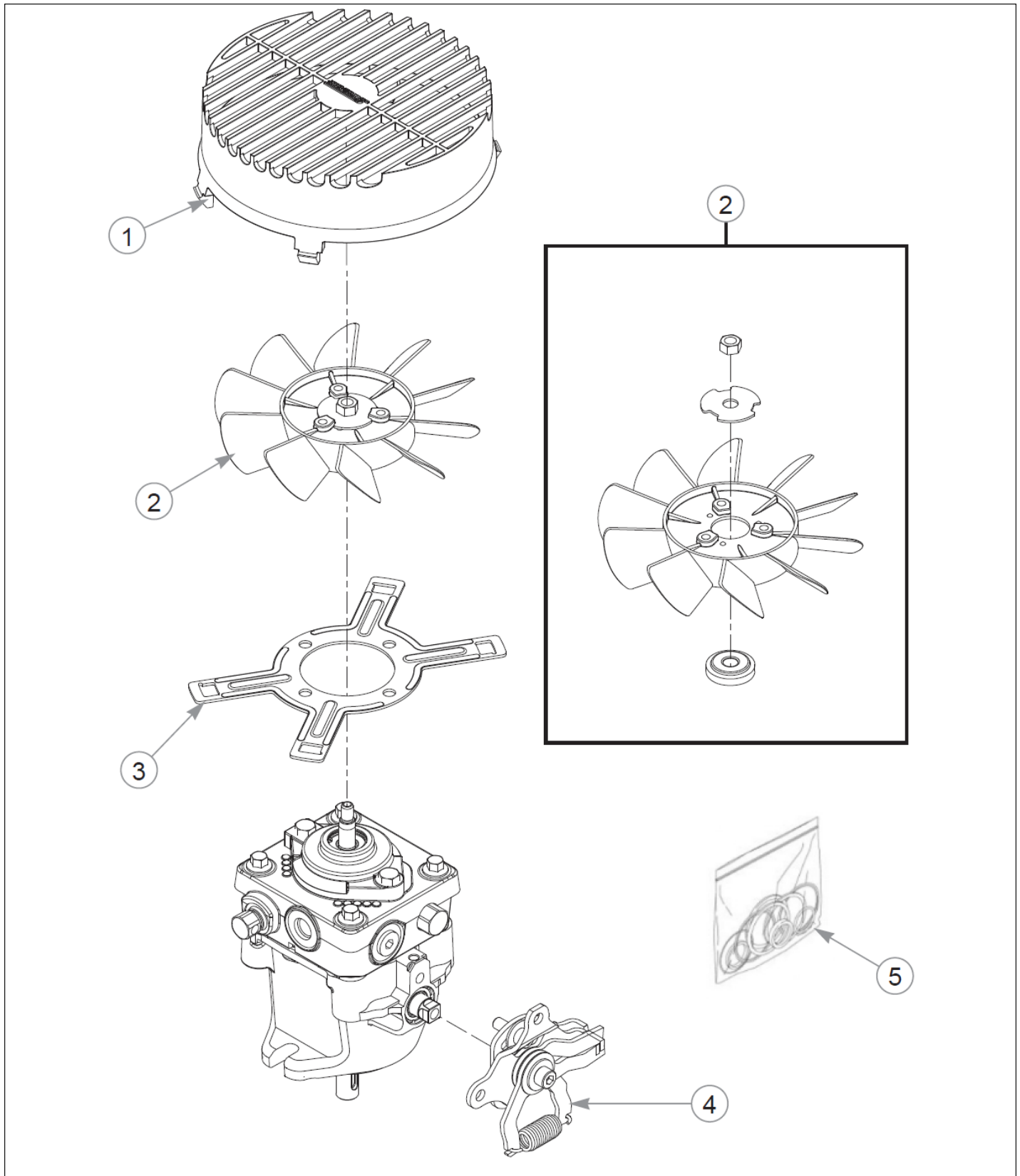


Hydraulic & Steering



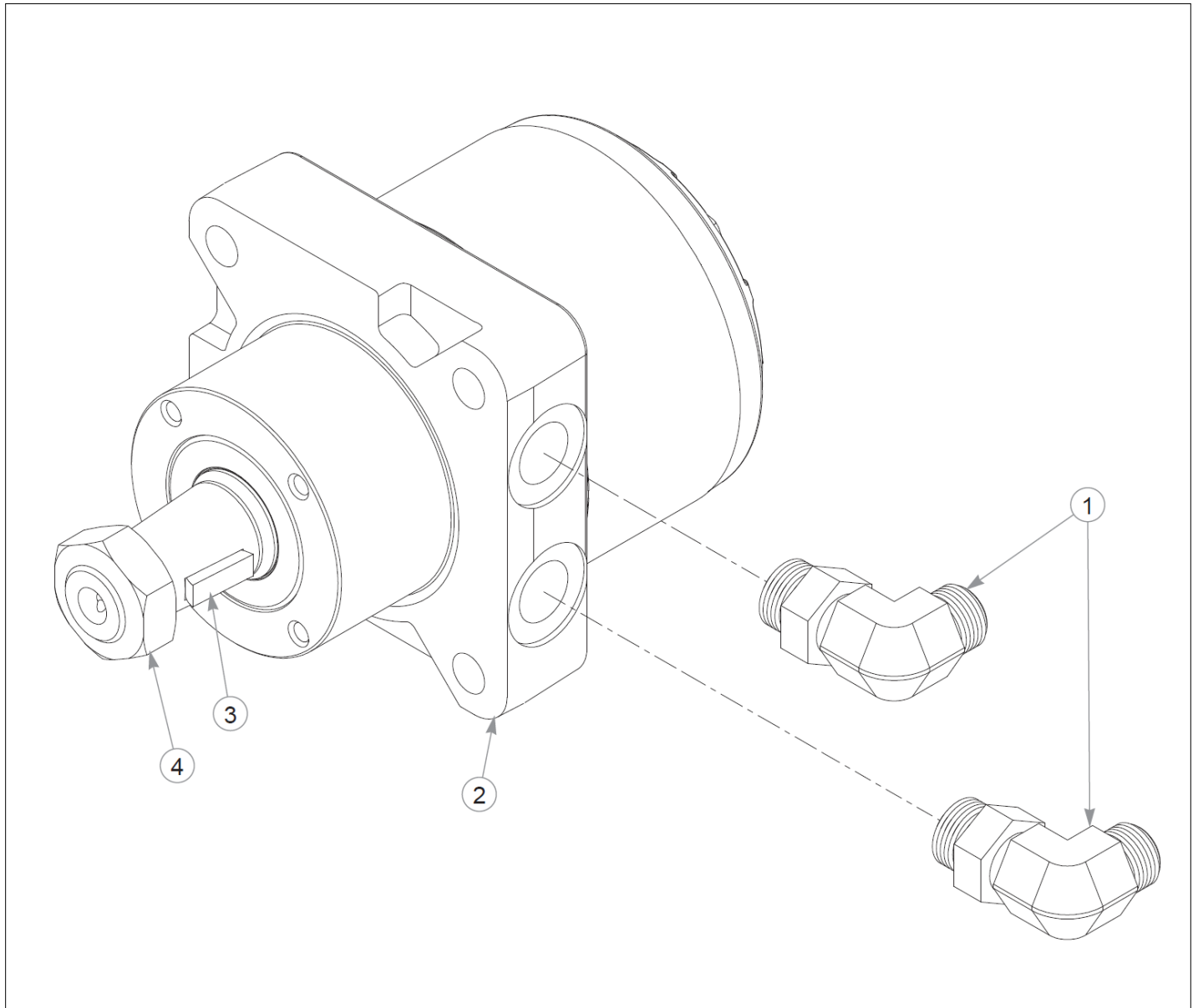
Elemento	Parte n.	Nome	Q.ta	Udm
1	605260	PUMP, HG 10cc W/ FAN	1	EA
2	787465	FTG, 90°-6MORB/-6BT	1	EA
3	784108	FTG, 45°-6MORB/-6BT	1	EA
4	606112	RH PUMP SUCTION HOSE	1	EA
5	781542	FTG, 90°-8MORB/-8MORFS	2	EA
6	606270	TUBE, LP-TM RH LOOP	1	EA
7	606269	TUBE, RP-BM RH LOOP	1	EA

### Hydraulic & Steering



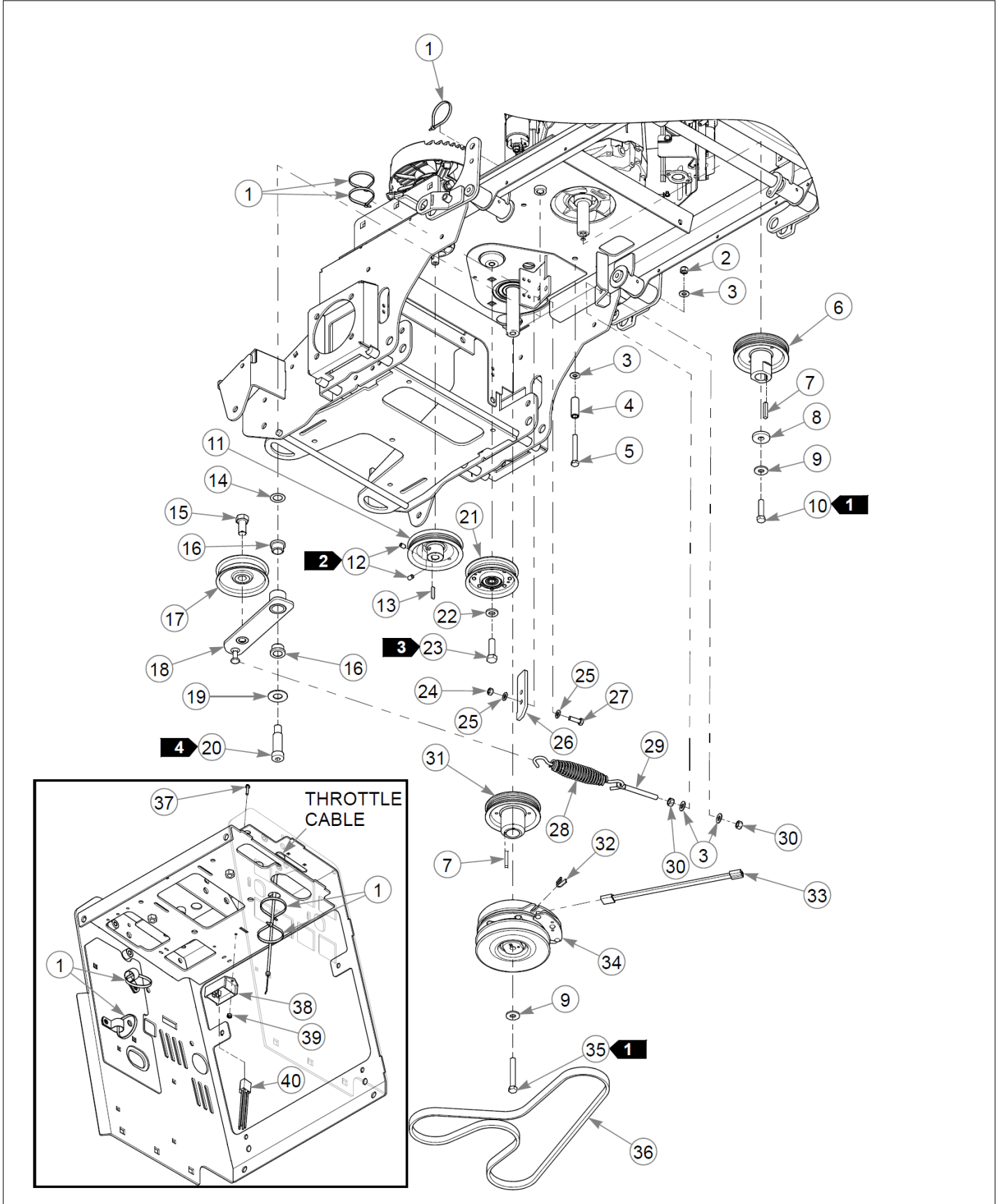
Elemento	Parte n.	Nome	Q.ta	Udm
1	606348	FAN SHROUD, 7"	1	EA
2	606347	FAN KIT, 7"	1	EA
3	606349	FAN MOUNT	1	EA
4	606350	KIT, RTN, STD SCISSOR	1	EA
5	780718	SEAL KIT, PG/PJ PUMPS	1	EA

Hydraulic & Steering



Elemento	Parte n.	Nome	Q.ta	Udm
1	781526	FTG, 90°-10MORB/-8MORFS	2	EA
2	606201	MOTOR, TL0195	1	EA
Not Shown	605266	MOTOR, PARKER TL0240	1	EA
3	064337	ROSS WOODRUFF KEY	1	EA
4	065516	ROSS CASTLE NUT	1	EA

### Hydraulic & Steering

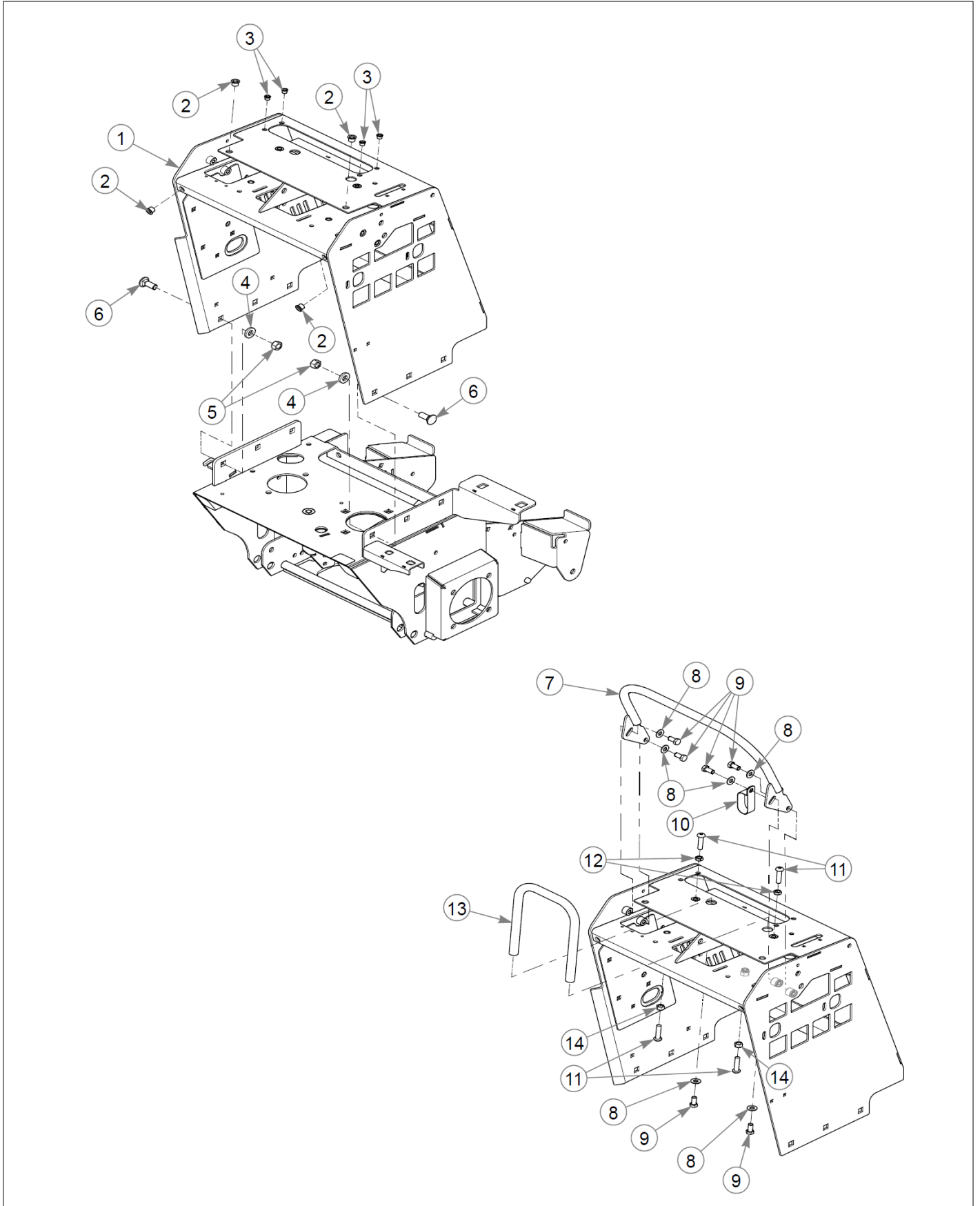


Elemento	Parte n.	Nome	Q.ta	Udm
1	000331	WIRE TIE, SMALL/SHORT	7	EA
2	086660	NT .375-16NLG8	1	EA
3	767954	FW 0.379X.82X.06 HD ZY	4	EA
4	604290	SPACER, CYLINDER	1	EA
5	705731	CS .375-16X2.750G5	1	EA
6	606162	PULLEY, 4.50" OP MICRO V	1	EA
7	212076	KEY 1/4 SQ X 1.50 LG(FS)	2	EA
8	606259	FW .485X1.46X.25 ZY	1	EA
9	602680	FW .453X1.12X.12 HRD ZY	2	EA
10	606175	CS .437-20X1.75 HXG5 P85	1	EA
11	606164	PULLEY, 4.50" OP MICRO V	1	EA
12	606260	SS .312-18 X .500 SH	2	EA
13	768127	KEY 5mm x30mm RADIUS EN	1	EA
14	704791	FW 0.781X1.250X0.024	1	EA
15	781872	CS .625-11X1.250HXG5	1	EA
16	781153	BUSHING, UHMW	2	EA
17	601488	PULLEY, 4" FLAT IDLER	1	EA
18	122528	IDLER ARM, W/A	1	EA
19	025296	FW .760X1.63X0.08 ZY	1	EA
20	601084	SB .750X 2.000 SH.625-11	1	EA
21	606066	PULLEY, 4" FLAT IDLER	1	EA
22	606256	FW .515X1.00X.13 ZY	1	EA
23	017616	CS .500-13X1.750HXG5	1	EA
24	034272	NT .312-18HXG5	2	EA
25	768523	FW 0.343SAE	4	EA
26	606435	CLUTCH ANCHOR	1	EA
27	036236	CS .312-18X1.000HXG5	2	EA
28	606380	SPRING, EXT INS HOOK	1	EA
29	601486	EB, .375-16X3.00 FULTHD	1	EA

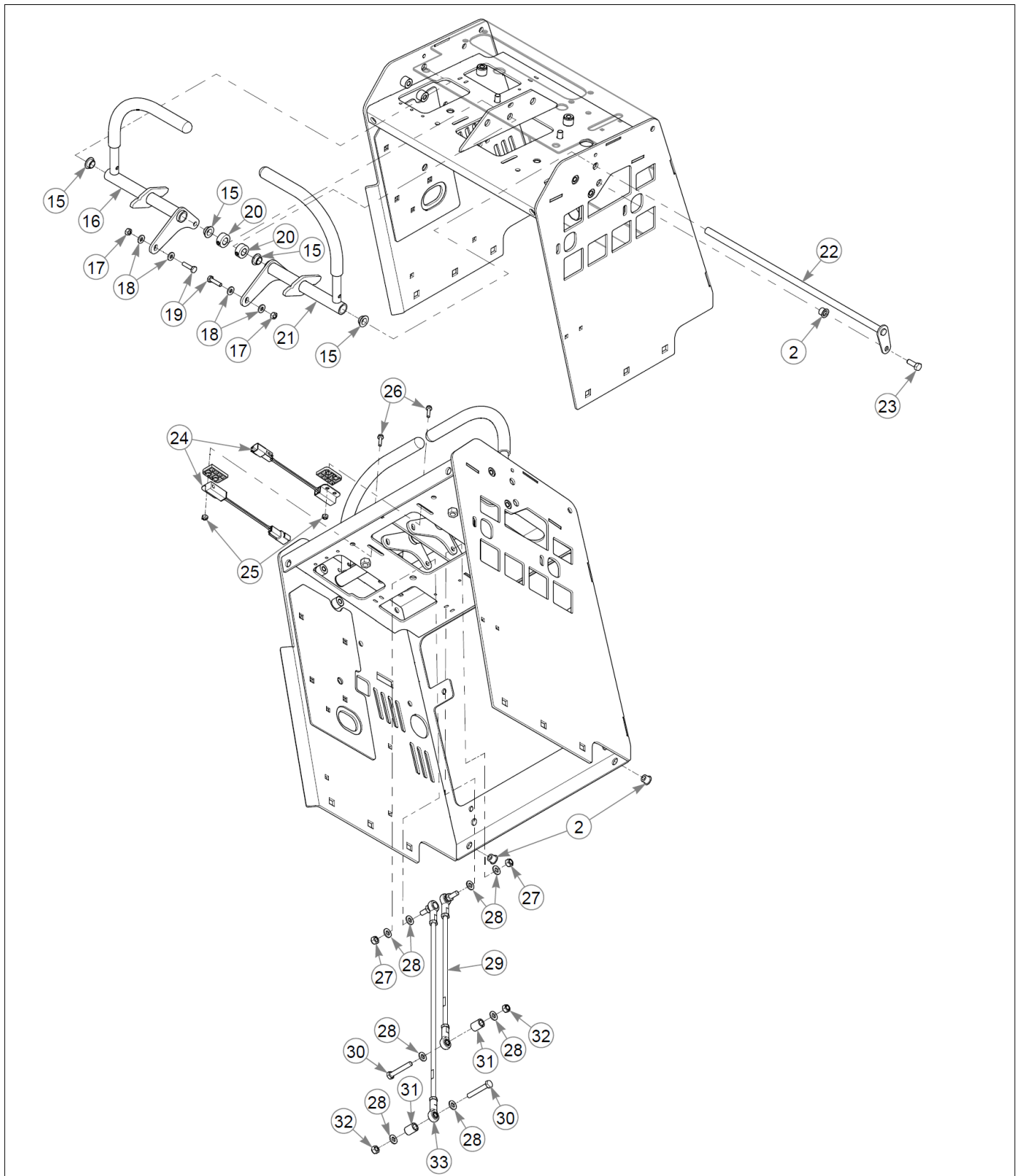


Elemento	Parte n.	Nome	Q.ta	Udm
30	054502	NT .375-16HXG5	2	EA
31	606163	PULLEY, 4.50" OP MICRO V	1	EA
32	605595	BUSHING, CLUTCH	1	EA
33	606430	HARNESS, CLUTCH PIGTAIL	1	EA
34	606188K	CLUTCH KIT, 606188	1	EA
35	785048	CS .437-20X3.00 HXG5 P85	1	EA
36	606372	BELT, 4-RIB MICRO-V-L	1	EA
37	606429	MS #8-32X.750 HX WH	2	EA
38	606420	SOFT START MODULE	1	EA
39	605208	NT #8-32 HX NL ZN	2	EA
40	606419	SOFT START PIGTAIL	1	EA
41	606443	WIRE TIE, V. SMALL/V. SH	1	EA

### Hydraulic & Steering

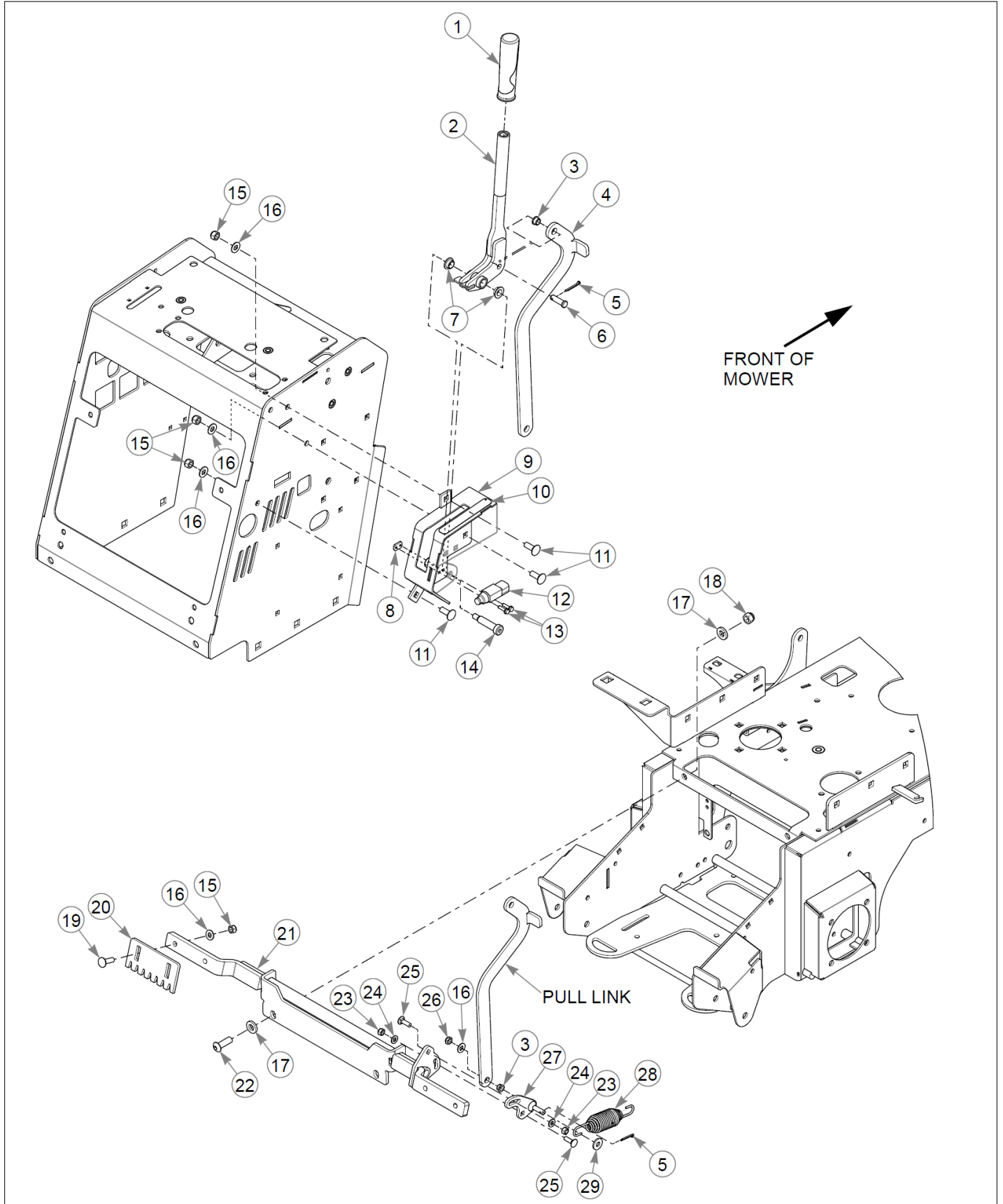


Elemento	Parte n.	Nome	Q.ta	Udm
1	122593	W/A CONTROL TOWER	1	EA
2	808485	RIVET NUT, 5/16-18 THRE	7	EA
3	808477	RIVET NUT, 1/4-20 THREA	4	EA
4	767962	FW .531 x 1.063 x .175	6	EA
5	008193	NT .500-13HXG5	6	EA
6	605869	CB 0.500-13 X 1.250 G5	6	EA
7	120249	STOP-FWD W/A	1	EA
8	767954	FW 0.379X.82X.06 HD ZY	6	EA
9	055822	CS .375-16X0.75 HX G5 ZY	6	EA
10	045088	HOSE CLAMP 1" (FS)	1	EA
11	604816	CS .375-16X1.5 BH ZY	4	EA
12	706168	NT .375-16JAMG5	2	EA
13	120252	STOP-REAR W/A	1	EA
14	054502	NT .375-16HXG5	2	EA
15	768259	BUSHING,IGUS#0810 (FS)	4	EA
16	606369	STEER LEVER W/ GRIP	1	EA
Not Shown	605961	GRIP, STEER LEVER	1	EA
17	024927	NT .250-20HXG5	2	EA
18	768515	FW 0.281SAE	4	EA
19	056077	CS .250-20X1.000HXG5	2	EA
20	788554	LOCK COLLAR, .500x1.000	2	EA
21	606368	STEER LEVER W/ GRIP	1	EA
Not Shown	605961	GRIP, STEER LEVER	1	EA
22	121930	W/A, STEERING PIVOT	1	EA
23	064014	CS .312-18X0.875HXG5	1	EA
24	605325	SWITCH, PROX	2	EA
25	059832	NT #10-24 HX NL ZN	4	EA
26	063198	CS #10-24X0.750FLKG5	4	EA



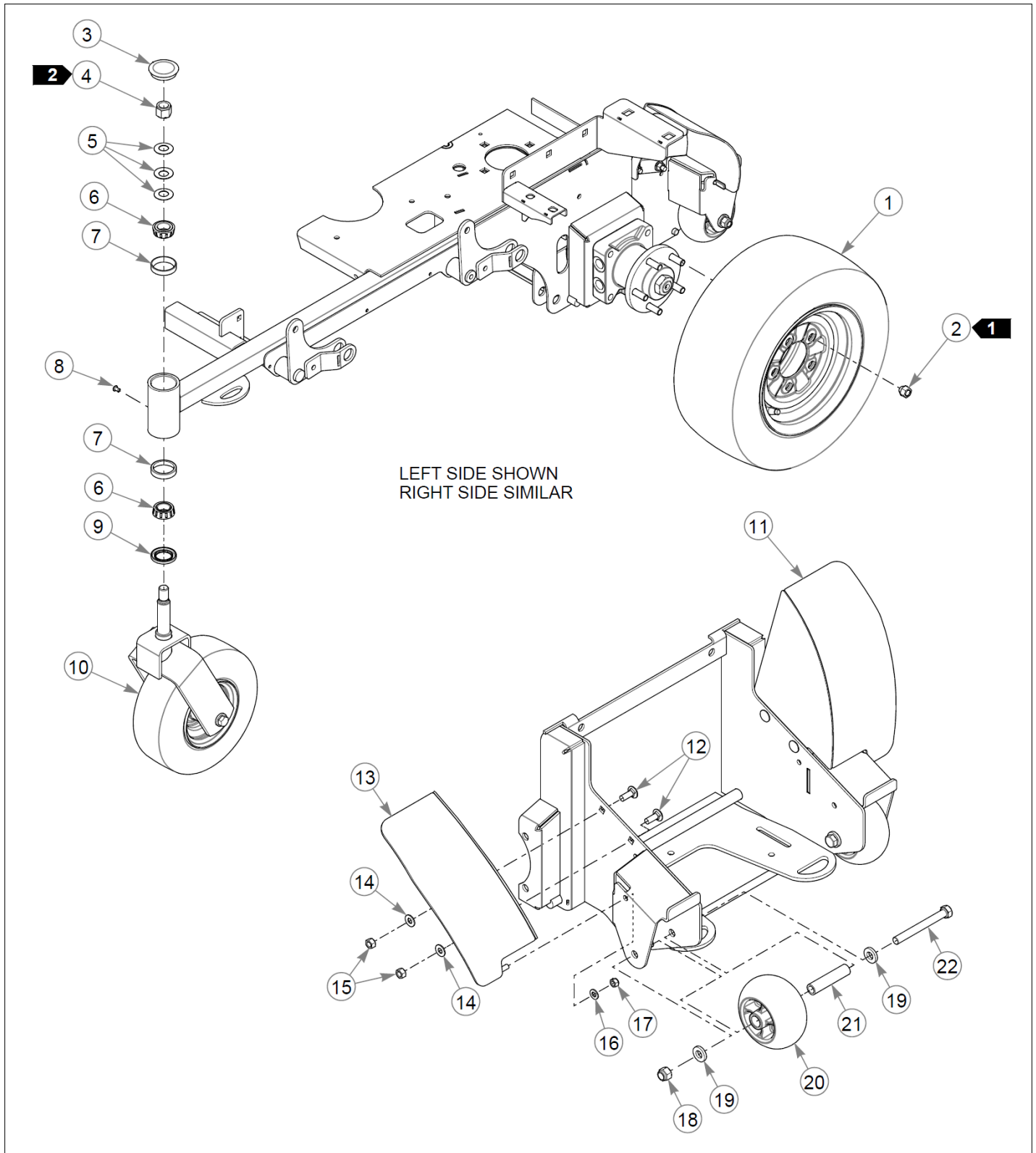
Elemento	Parte n.	Nome	Q.ta	Udm
27	023655	NT .312-24NLG5	2	EA
28	768523	FW 0.343SAE	8	EA
29	606280	PUMP ADJUSTMENT ROD	1	EA
30	064345	CS .312-18X2.000HXG5	2	EA
31	606285	SPACER, .375X.625X.800	2	EA
32	058776	NT .312-18NLG5	2	EA
33	606281	PUMP ADJUSTMENT ROD	1	EA
34	000331	WIRE TIE, SMALL/SHORT	4	EA

### Hydraulic & Steering



Elemento	Parte n.	Nome	Q.ta	Udm
1	606258	GRIP, PARK BRAKE	1	EA
2	123269	W/A PARK BRAKE HANDLE	1	EA
3	765339	BUSHING,IGUS#0608 (FS)	2	EA
4	122662	PULL LINK	1	EA
5	017244	CP .125DX1.000 LG HML Z	2	EA
6	000174	CE .375X1.25 .156X1.09	1	EA
7	768259	BUSHING,IGUS#0810 (FS)	2	EA
8	601822	NUT PLATE, .420 CENTERS	1	EA
9	553516	SVC, PARK BRAKE BRKT	1	EA
10	601906	DECAL, PARK BRAKE	1	EA
11	025395	CB .375-16X 1.00 G5 ZNY	3	EA
12	602538	SWITCH PLUNGER, NC/NO	1	EA
13	063198	CS #10-24X0.750FLKG5	2	EA
14	606288	SB 0.500 0.500 X 17.50	1	EA
15	086660	NT .375-16NLG8	7	EA
16	767954	FW 0.379X.82X.06 HD ZY	8	EA
17	767962	FW .531 x 1.063 x .175	4	EA
18	781567	NT .500-13NLG5	2	EA
19	603113	CB .375-16X1.250 G5 ZNC	4	EA
20	606299	TEETH PLT PARK BRAKE	2	EA
21	606345	W/A, TREADLOCK	1	EA
22	779538	CS .500-13X1.50 BH BO	2	EA
23	058776	NT .312-18NLG5	2	EA
24	768523	FW 0.343SAE	2	EA
25	037887	CB .312-18X 1.000 FUL YZ	2	EA
26	603846	NT .375-16 HX NL JAM ZN	1	EA
27	606303	BRAKE LINK W/A	1	EA
28	781302	IDLER SPRING	1	EA
29	712919	FW 0.406X1.00X.12 HD ZY	1	EA

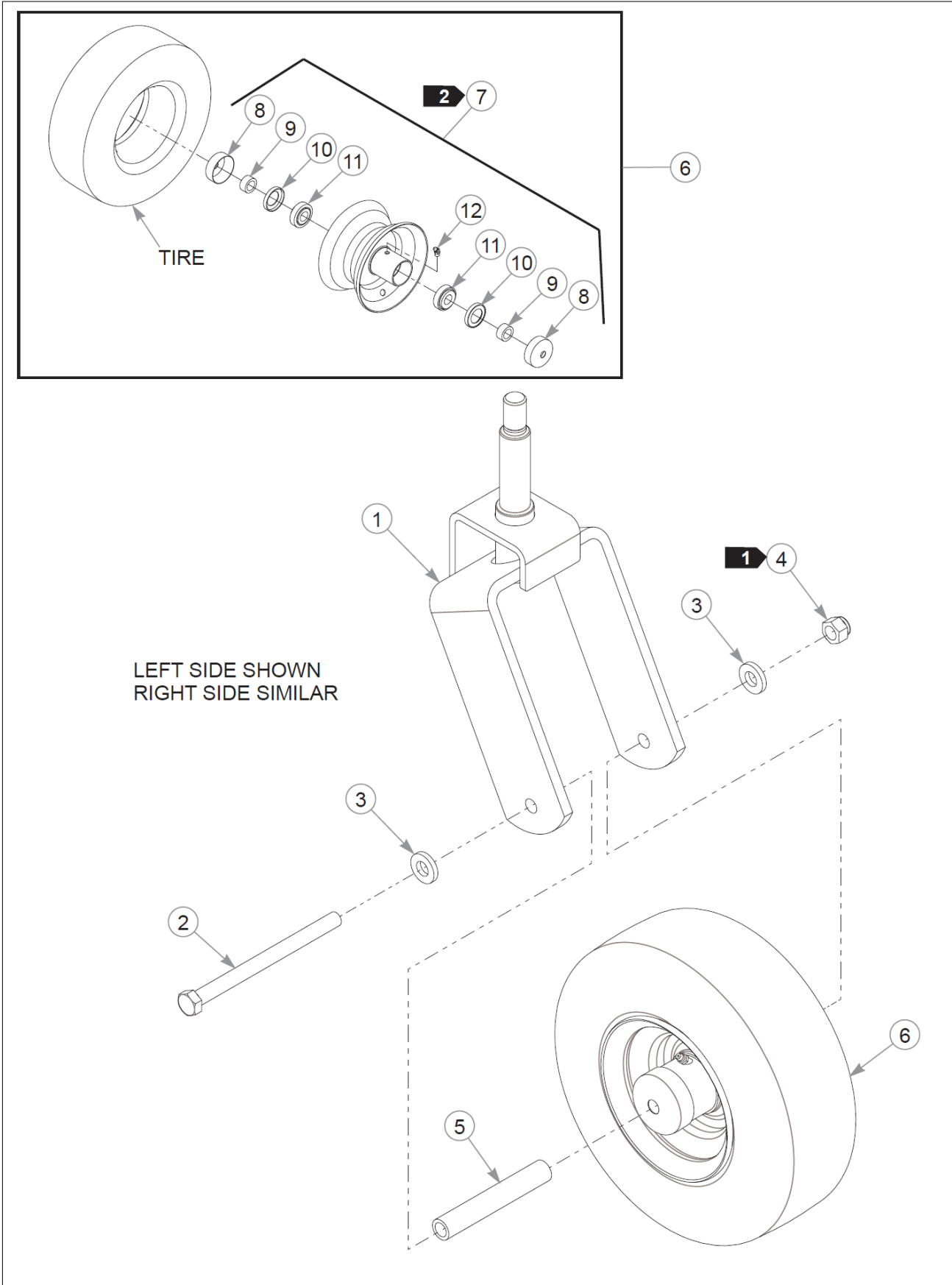
Wheels & Tires





Elemento	Parte n.	Nome	Q.ta	Udm
1	606328	TIR/WHL 18X8.50-8 SLV	2	EA
2	061077	WHEEL NUT	10	EA
3	606711	DUST CAP	2	EA
4	061101	NT .750-10 HX ZY NL GR B	2	EA
5	606715	CW 0.766 X 1.50 X .093	6	EA
6	606712	BEARING, TAPERED ROLLER	4	EA
7	606713	RACE, TAPERED ROLLER	4	EA
8	606817	GREASE PLUG	2	EA
9	606714	SEAL, 1.25 X 1.98	2	EA
10		REFER TO "FRONT WHEEL ASSEMBLY BREAKDOWN"	2	EA
11	122576	FENDER W/A	1	EA
12	025395	CB .375-16X 1.00 G5 ZNY	4	EA
13	122572	FENDER W/A	1	EA
14	767954	FW 0.379X.82X.06 HD ZY	4	EA
15	054502	NT .375-16HXG5	4	EA
16	768523	FW 0.343SAE	2	EA
17	058776	NT .312-18NLG5	2	EA
18	781567	NT .500-13NLG5	2	EA
19	767962	FW .531 x 1.063 x .175	4	EA
20	602263	WHEEL, ANTI-SCALP	2	EA
21	602345	SPACER, ANTI-SCALP 3.22	2	EA
22	068239	CS .500-13X4.500HXG5	2	EA

Wheels & Tires



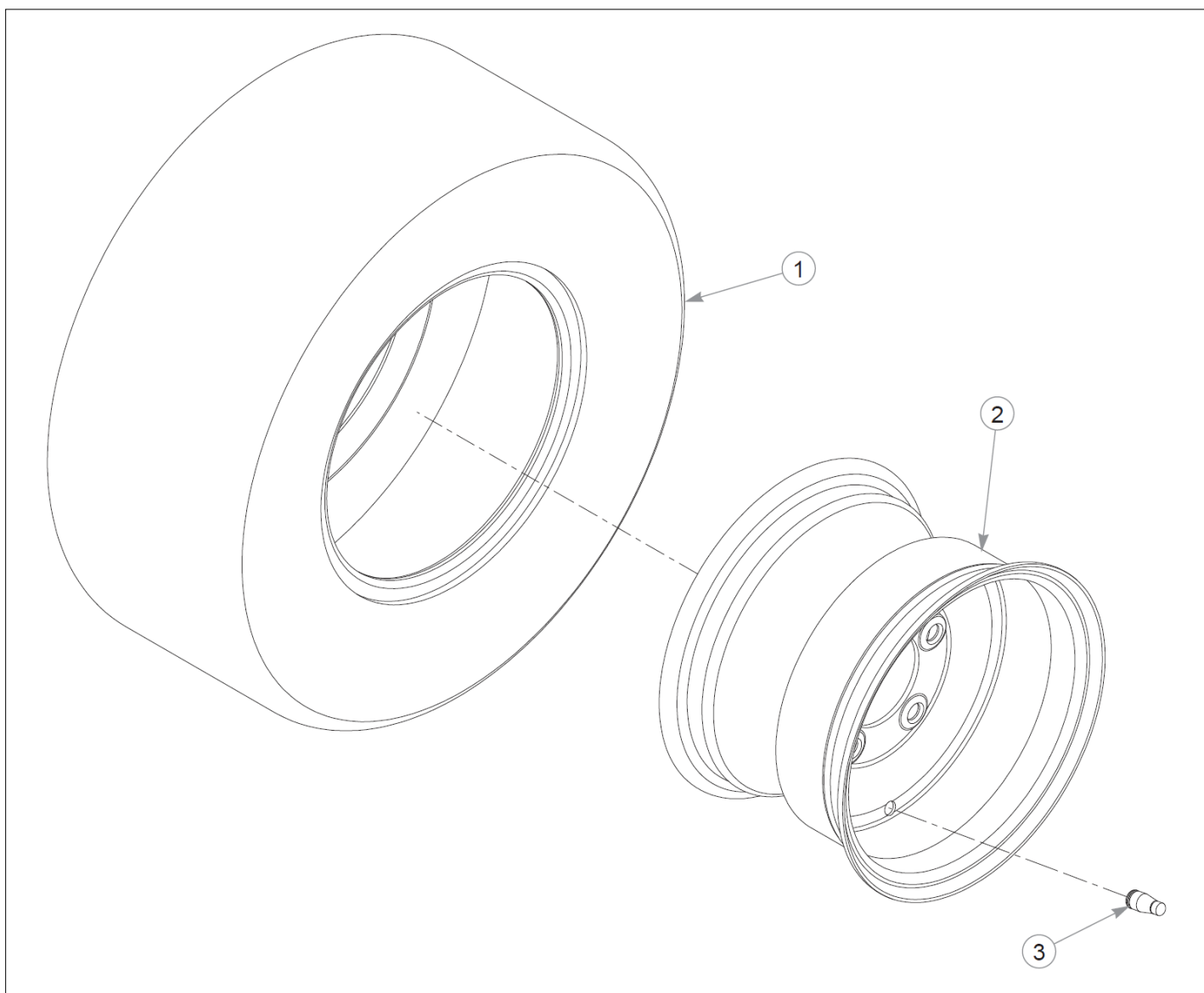
Elemento	Parte n.	Nome	Q.ta	Udm
1	123648-1	W/A, CASTER FORK	1	EA
2	042630	CS .500-13X6.500HXG5	1	EA
3	767962	FW .531 x 1.063 x .175	2	EA
4	781567	NT .500-13NLG5	1	EA
5	306969	GAGE WHEEL SPACER	1	EA
6	606740	TIR/WHL 11X4.00-5 SLV	1	EA
7	606747	WHL 5X3.00 SLV	1	EA
8	606779	DUST CAP, 0.502 ID	2	EA
9	606778	SPACER, 0.531	2	EA
10	606780	SEAL	2	EA
11	606753	BEARING, TAPERED ROLLER	2	EA
12	606777	GREASE FITTING	1	EA

Comments for Page: Front Wheel Assembly Breakdown

jmumford@excelii.com on Jan 17, 2018

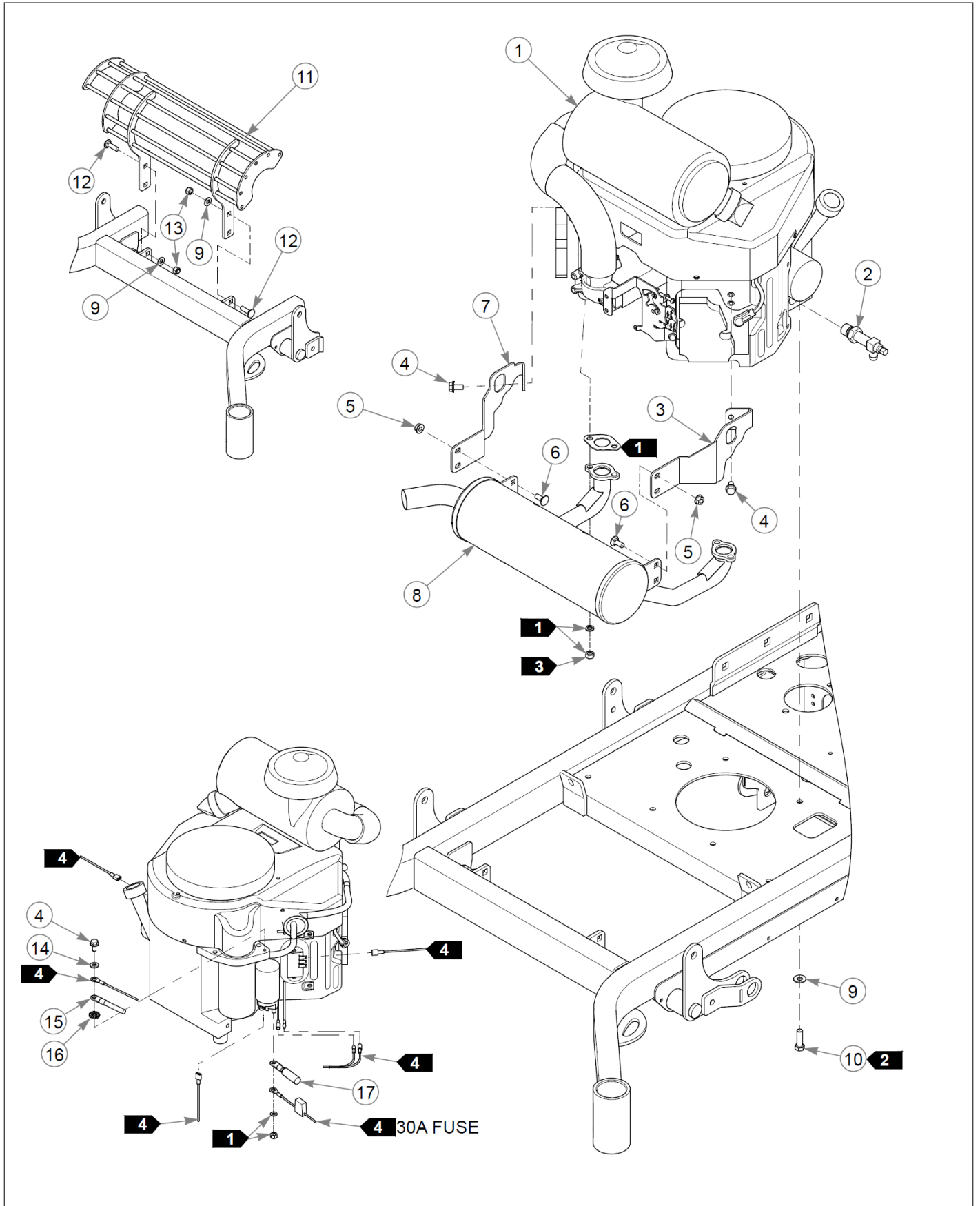
1. Tighten, then back off the nut until the wheel spins freely. 2. Refer to the General Service Manual for wheel bearing service procedures. The wheel assembly (606749) includes items 8-12.

Wheels & Tires



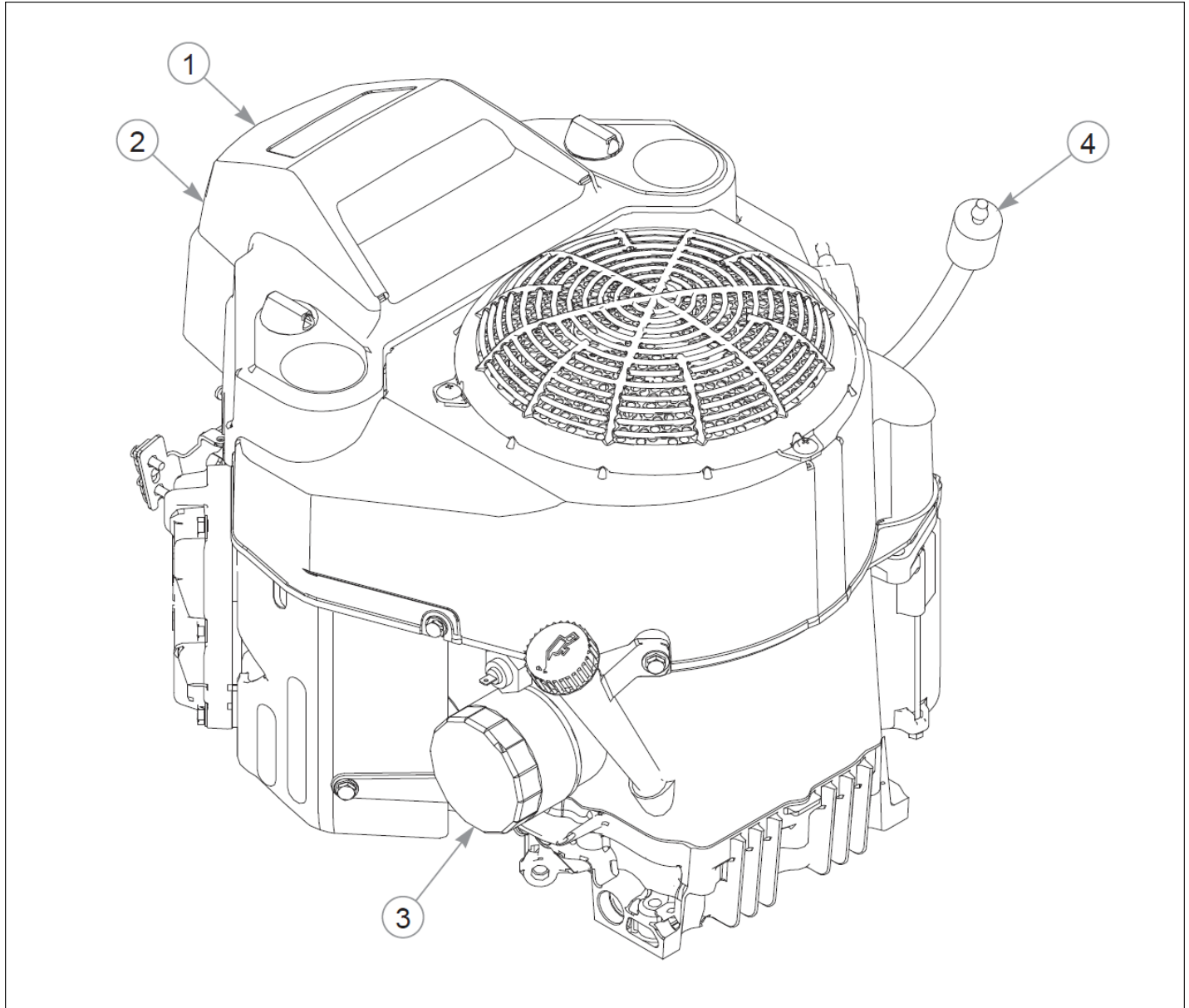
Elemento	Parte n.	Nome	Q.ta	Udm
1	605847	TIR 18X8.50-10 B4R GRMR	1	EA
2	606329	WHL 10X6.00 5X4.5 SLV	1	EA
3	019521	TIRE VALVE TR-412 GOODY	1	EA

### Engine & Fuel System



Elemento	Parte n.	Nome	Q.ta	Udm
1		ENGINE, FS541V	1	EA
2	796524	VALVE,OIL DRAIN M20x2.5	1	EA
3	122340	STAY, MUFFLER	1	EA
4	720516	CS M8-1.25X16HX FL10.9	5	EA
5	016832	NT .312-18FLKG5	4	EA
6	016253	CB .312-18X .750 FUL ZN	4	EA
7	122341	STAY, MUFFLER	1	EA
8	606042	MUFFLER, FS541V	1	EA
9	767954	FW 0.379X.82X.06 HD ZY	8	EA
10	602580	CS .375-16X1.25HXG8ZYP85	4	EA
11	122637	MUFFLER GUARD W/A	1	EA
12	603113	CB .375-16X1.250 G5 ZNC	4	EA
13	086660	NT .375-16NLG8	4	EA
14	768523	FW 0.343SAE	1	EA
15	780015	BATTERY CABLE, (-) ES W	1	EA
16	029876	LW .312 INTEXT ZY	1	EA
17	602099	BATTERY CABLE, POS.	1	EA

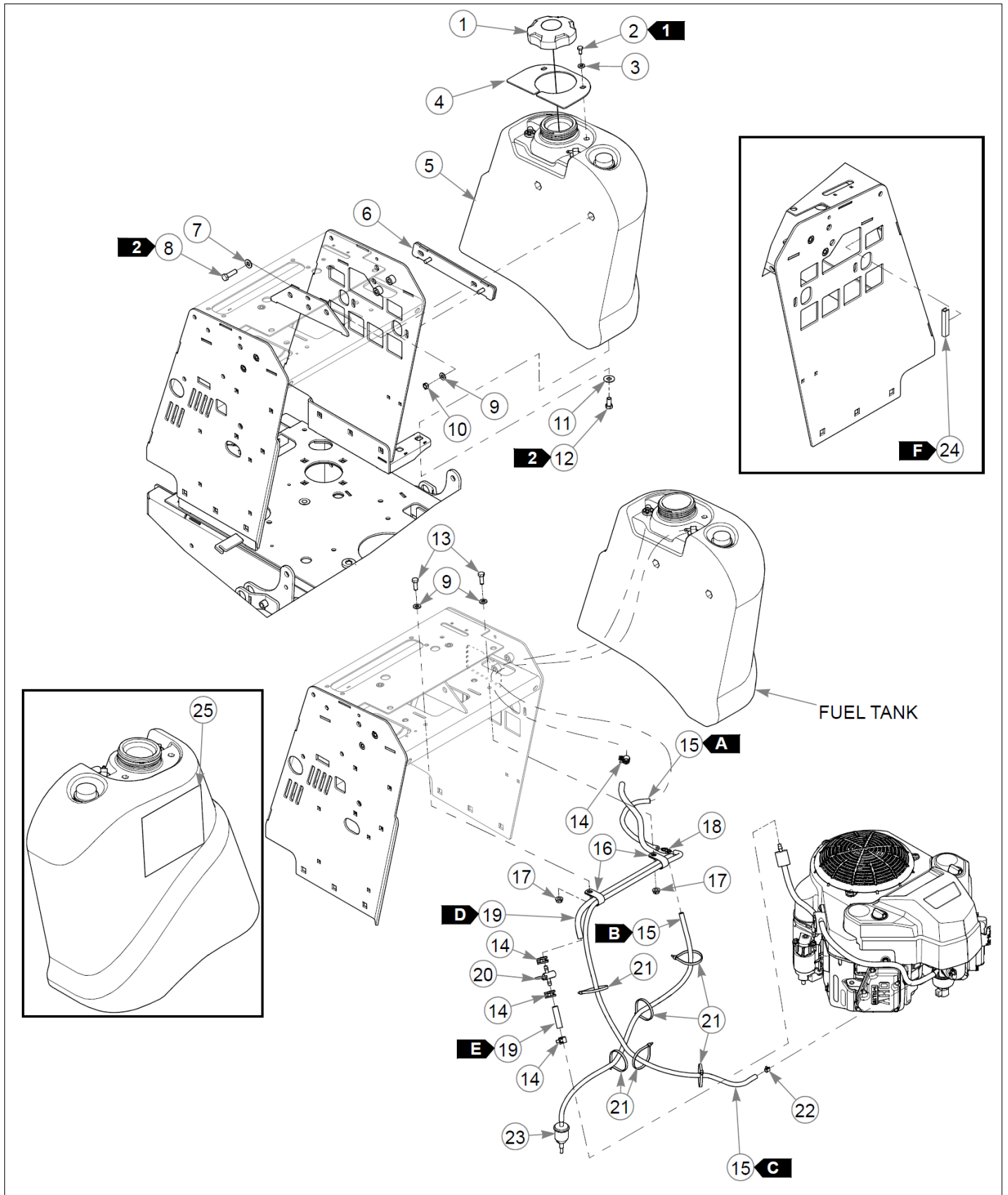
# Engine & Fuel System





Elemento	Parte n.	Nome	Q.ta	Udm
1	603059	AIR FILTER, KAW	1	EA
2	603058	PRE FILTER, KAW	1	EA
3	602581	OIL FILTER, KAW ENG.	1	EA
4	068478	FUEL FILTER IN-LINE	1	EA

Engine & Fuel System



Elemento	Parte n.	Nome	Q.ta	Udm
1	603807	CAP, 3.5" RATCHETING GAS	1	EA
2	055947	CS .250-20X0.50 HX G5 ZY	2	EA
3	768515	FW 0.281SAE	2	EA
4	122399	FUEL TANK COVER PLATE	1	EA
5	606167	FUEL TANK	1	EA
6	122671	TANK SPACER W/A	1	EA
7	767954	FW 0.379X.82X.06 HD ZY	2	EA
8	052860	CS .375-16X1.25 HX G5 ZY	2	EA
9	768523	FW 0.343SAE	4	EA
10	604251	NT .312-18 HXNL JAM G2ZN	2	EA
11	076422	FW 0.406X1.000X0.060	4	EA
12	055822	CS .375-16X0.75 HX G5 ZY	4	EA
13	064014	CS .312-18X0.875HXG5	2	EA
14	000323	CLIP, HOSE CLAMP	4	EA
15	603326	VAPOR LINE, 3/16"	81"	FT
<p>Commenti per num parte 603326</p> <p>parts@excelii.com on Jan 19, 2018</p> <p>Sold by the foot.</p>				
16	043570	CLIP - HOSE - SINGLE(FS)	2	EA
17	016832	NT .312-18FLKG5	2	EA
18	605690	TEE, 3/16" PLASTIC	1	EA
19	015818	FUEL LINE, 1/4"	29"	FT
<p>Commenti per num parte 015818</p> <p>parts@excelii.com on Jan 19, 2018</p> <p>Sold by the foot.</p>				
20	605601	FUEL SHUT-OFF VALVE	1	EA
21	000331	WIRE TIE, SMALL/SHORT	6	EA

Elemento	Parte n.	Nome	Q.ta	Udm
22	603112	CLAMP, 3/16 FUEL	1	EA
23	604323	FILTER, VAPOR SYSTEM	1	EA
24	033001	FLEXIBLE TRIM UNI-GRIP	2.5"	FT
25	606052	DECAL, TANK	1	EA

Comments for Page: Fuel System

jmumford@excelii.com on Apr 19, 2018

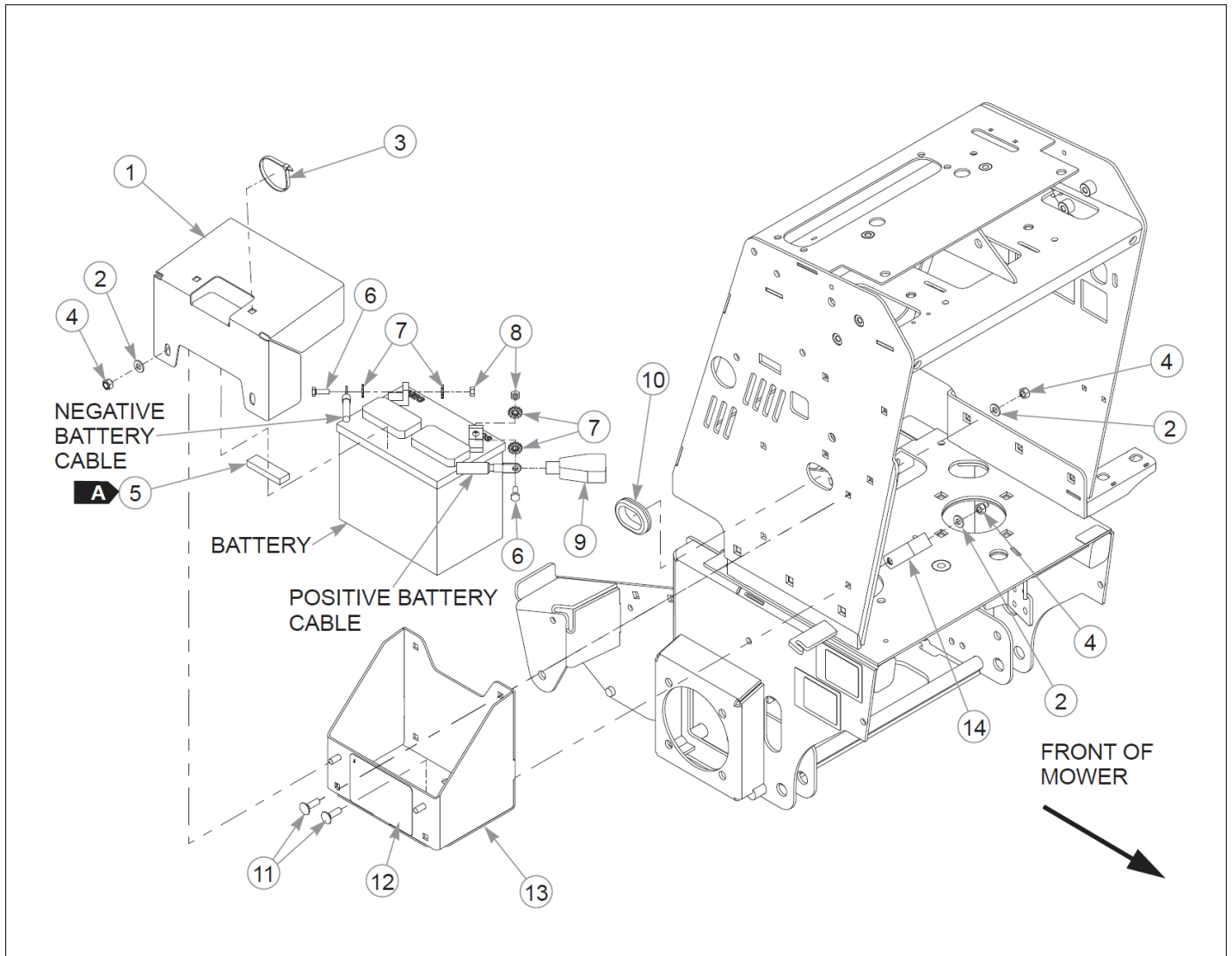
VAPOR LINE LENGTHS

A: 25cm RIGHT TANK TO FUEL VALVE

B: 65cm LEFT TANK TO FUEL VALVE

1. Torque to 27 N•m.
2. Torque to 8 N•m.

Electrical



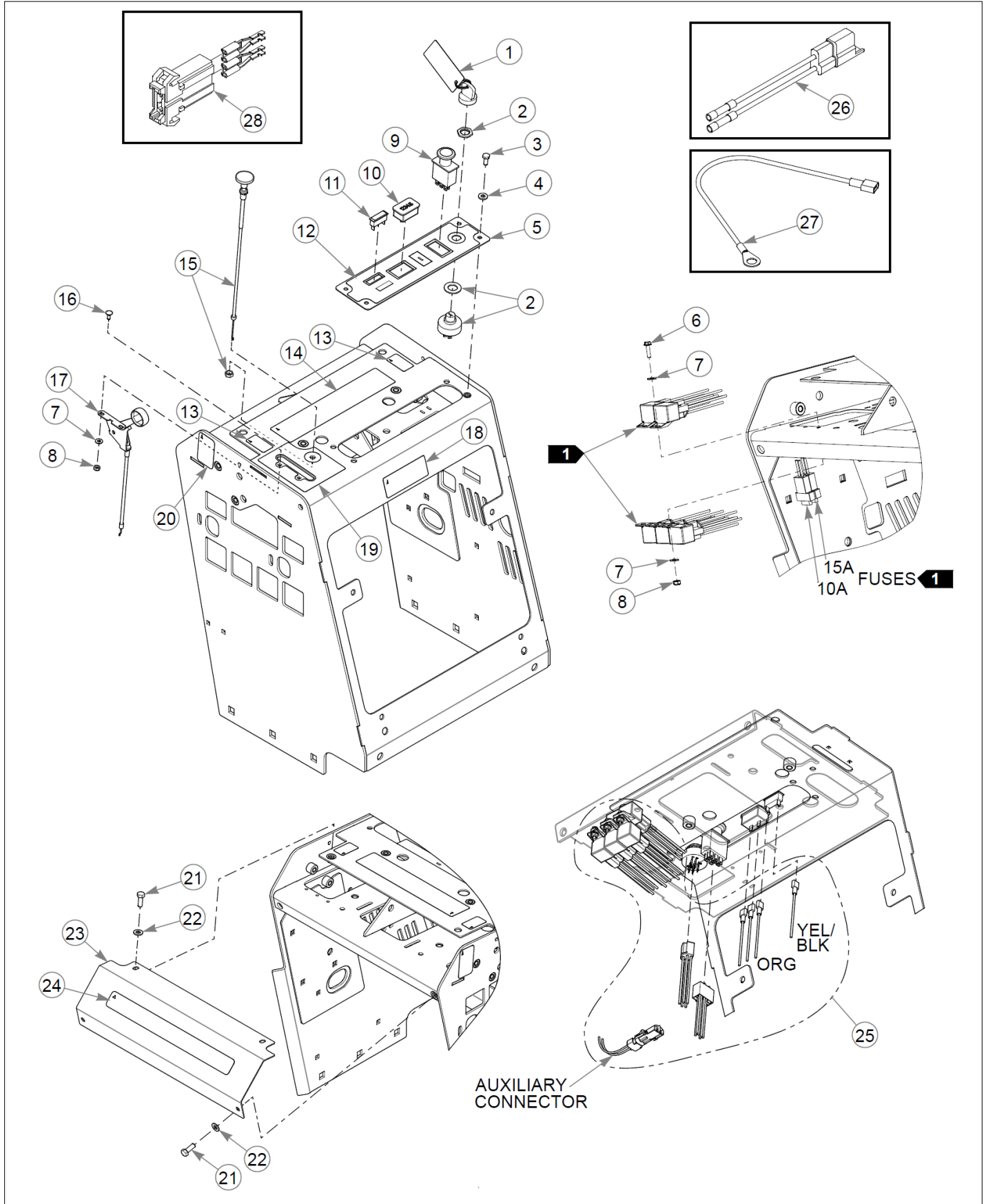
Elemento	Parte n.	Nome	Q.ta	Udm
1	122629	BATTERY COVER	1	EA
2	768523	FW 0.343SAE	6	EA
3	000331	WIRE TIE, SMALL/SHORT	1	EA
4	058776	NT .312-18NLG5	6	EA
5	713198	SEAL 3/8x3/4 SOLD BY FT	1	cm
6	055939	CS .250-20X0.75 HX G5 ZY	2	EA
7	029868	LW .250 INTEXT ZY	4	EA
8	024927	NT .250-20HXG5	2	EA
9	771428	BATTERY CBL BOOT-RED(FS)	1	EA
10	794644	GM 1.50 X 2.12 X 1.75	1	EA
11	037887	CB .312-18X 1.000 FUL YZ	4	EA
12	601815	DECAL, BATTERY WARNINGS	1	EA
13	553517	SVC, BATTERY BOX	1	EA
14	045088	HOSE CLAMP 1" (FS)	1	EA

Comments for Page: Battery

jmumford@excelii.com on Aug 16, 2017

SEAL LENGTHA: 6.4 cm1. When performing service on the mower, disconnect the negative battery cable (black) and do not reconnect it to the battery until ready to start the engine.2. The battery box includes the decal.

Electrical



Elemento	Parte n.	Nome	Q.ta	Udm
1	785808	KEY ASSEMBLY	1	EA
2	045898	IGNITION SWITCH	1	EA
3	064329	CS .250-20X0.625HXG5	4	EA
4	768515	FW 0.281SAE	4	EA
5	553513	SVC, INSTRUMENT PANEL	1	EA
6	063198	CS #10-24X0.750FLKG5	3	EA
7	704932	FW 0.219X.50X.05 ZY	8	EA
8	059832	NT #10-24 HX NL ZN	5	EA
9	776476	SWITCH, PTO 6201-321	1	EA
10	769166	HOUR METER	1	EA
11	712257	INDICATOR LIGHT, RED(FS)	1	EA
12	606154	DECAL, INSTRUMENT PANEL	1	EA
13	606218	DECAL, STEERING	2	EA
14	606215	DECAL, SAFE OPERATION	1	EA
15	601097	CABLE, CHOKE	1	EA
16	601098	CB 10-24 X .500 ZYNC	2	EA
17	778365	CABLE, THROTTLE	1	EA
18	601058	DECAL, HOT/SYN HYDRO OIL	1	EA
19	606155	DECAL, INSTRUMENT PANEL	1	EA
20	605688	DECAL, LEVEL FUEL FILL	1	EA
21	064014	CS .312-18X0.875HXG5	4	EA
22	768523	FW 0.343SAE	4	EA
23	553515	SVC, COVER PANEL	1	EA
24	602407	DECAL, HUSTLER ID	1	EA
25	605911	WIRE HARNESS	1	EA
26	114052	KIT, CLUTCH CONN. REP.	1	EA
27	604430	WIRE HARNESS	1	EA
28	601047	HOLDER, FUSE	1	EA

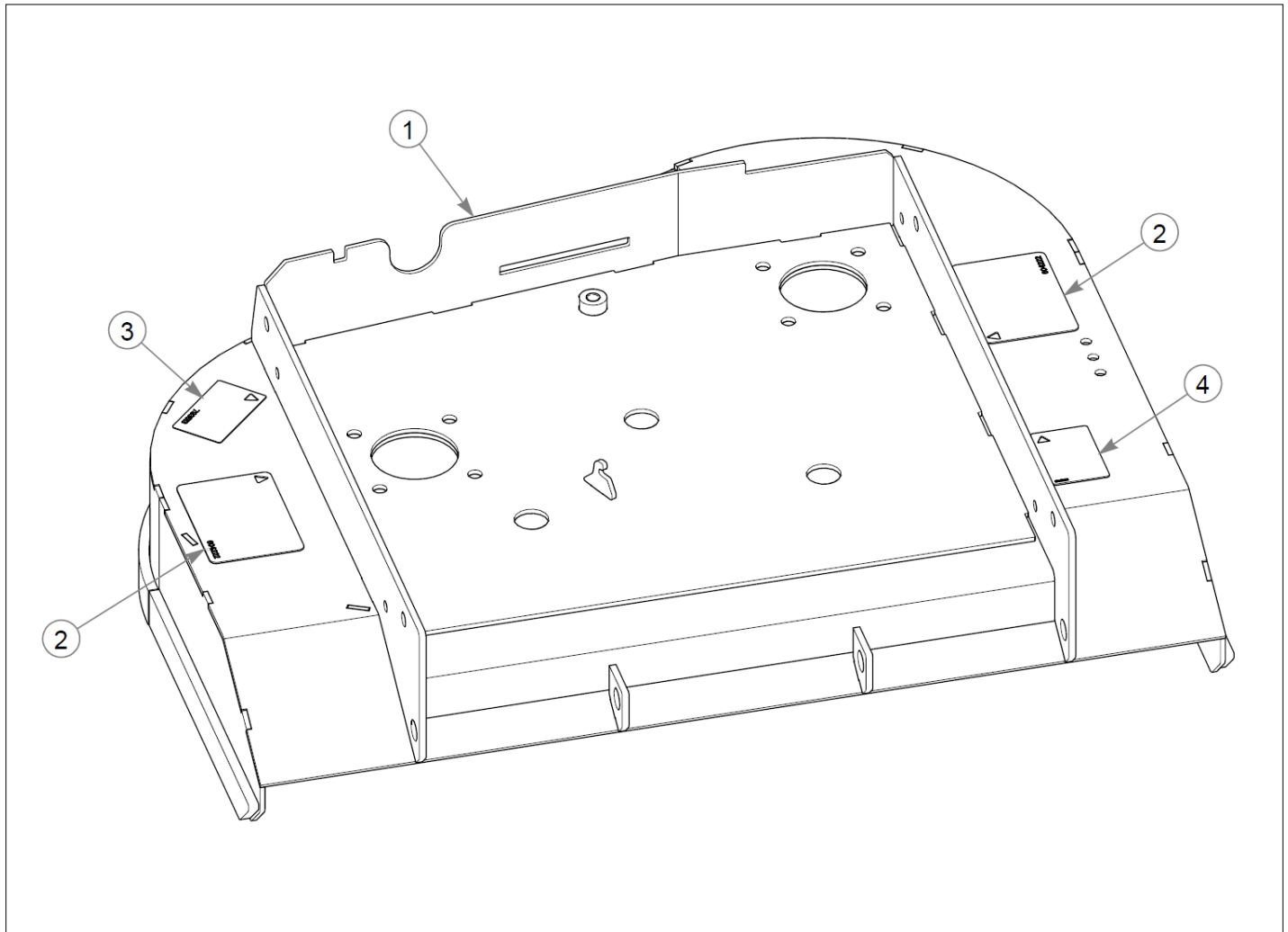


Comments for Page: Instrument Panel & Wire Harness

jmumford@excelsi.com on Aug 16, 2017

1. Part of the wire harness.

Deck



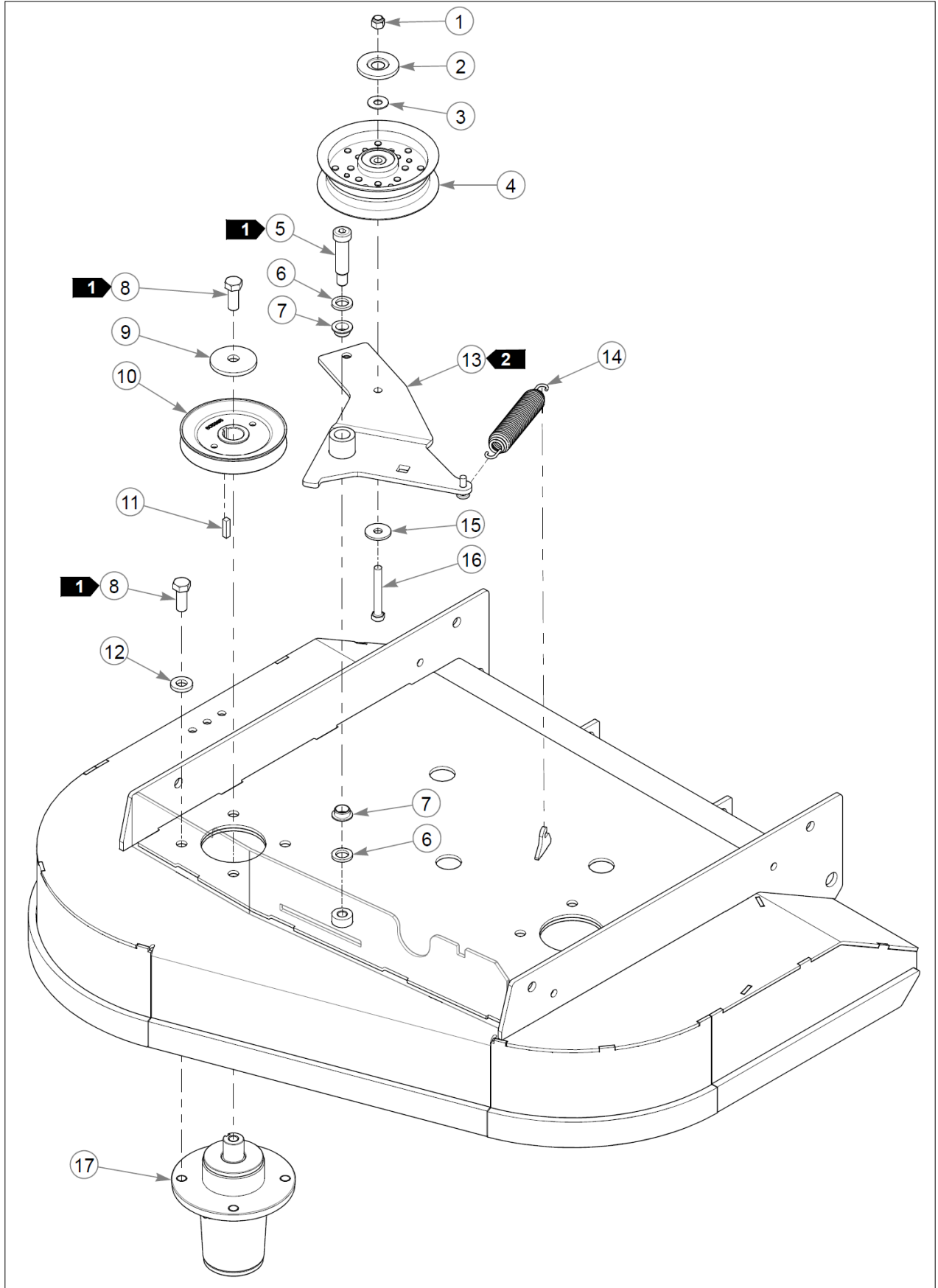
Elemento	Parte n.	Nome	Q.ta	Udm
1	554616	SVC, DECK DECAL ASSY	1	EA
2	604222	DECAL, DANGER / OBJECTS	2	EA
3	793513	DECAL,36"DECK ID	1	EA
4	606216	DECAL, BELT ROUTING	1	EA

Comments for Page: Service Deck

jmumford@excelii.com on Apr 19, 2018

1. The deck includes the decals.

Deck



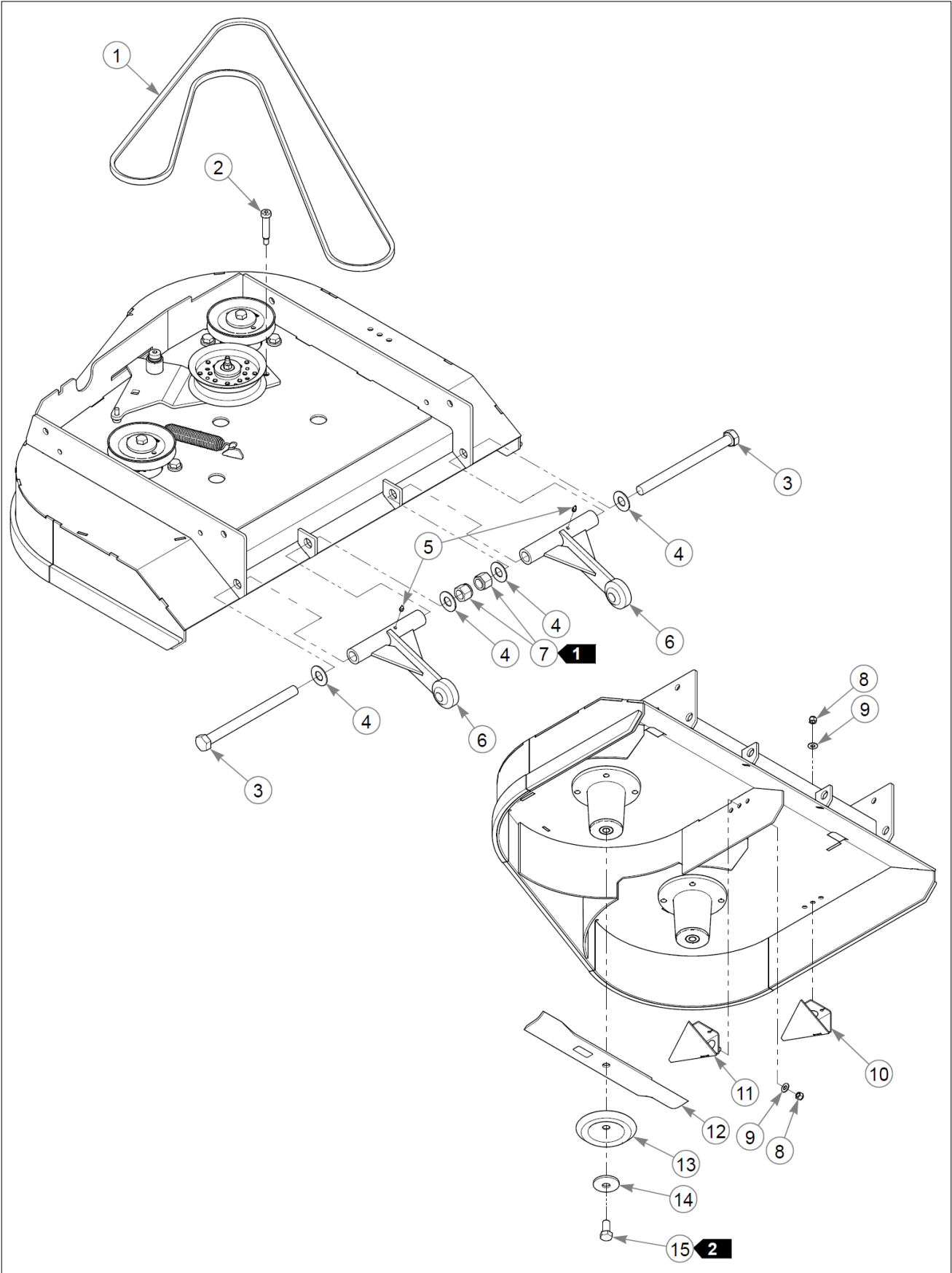
Elemento	Parte n.	Nome	Q.ta	Udm
1	086660	NT .375-16NLG8	1	EA
2	603057	DUST SHIELD W/OFFSET	1	EA
3	076422	FW 0.406X1.000X0.060	1	EA
4	606385	PULLEY, 5" FLAT IDLER	1	EA
5	606149	SB .625 X 2.00 SH.50-13	1	EA
6	028118	FW 0.625X1.00X.13 ZY	2	EA
7	602539	BUSHING, .625 I.D.	2	EA
8	705954	CS .500-13X1.25 HX G5 ZY	10	EA
9	752386	CW .515X 2.25X .204 BLK	2	EA
10	605985	DRIVE PULLEY	2	EA
11	212472	KEY 1/4 SQ X 1.00 LG(FS)	2	EA
12	767962	FW .531 x 1.063 x .175	8	EA
13	122278	IDLER ARM W/A	1	EA
14	122388	SPRING	1	EA
15	712893	FW 0.406X1.25X.12 HD ZY	1	EA
16	705731	CS .375-16X2.750G5	1	EA
17	604255	SPINDLE ASSY, DUCTILE	2	EA
<p>Commenti per num parte 604255</p> <p>parts@excelii.com on Apr 15, 2015</p> <p>Spindle has no service parts available. Replace complete spindle assembly.</p>				

Comments for Page: Deck Pulleys & Spindles

jmumford@excelii.com on Apr 19, 2018

1. Torque to 91–99 N•m. 2. The idler arm must pivot freely.

Deck



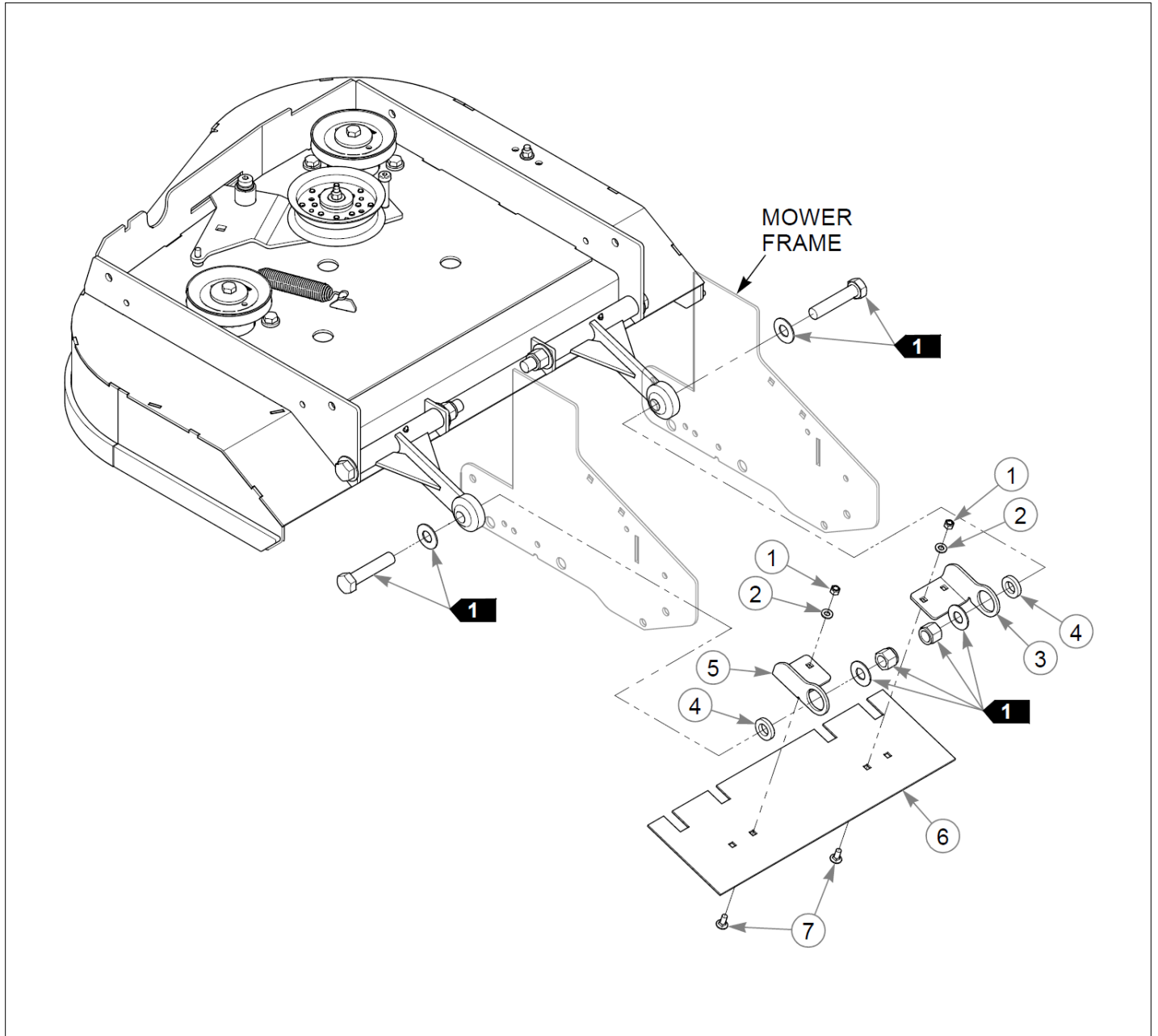
Elemento	Parte n.	Nome	Q.ta	Udm
1	607060	DECK BELT EL 107.75	1	EA
2	606386	SB 0.500 X 2.000	1	EA
3	041475	CS .750-10X9.50 HX G5 ZY	2	EA
4	025296	FW .760X1.63X0.08 ZY	4	EA
5	015495	GREASE FITTING STRAIGHT	2	EA
6	124681-4	PUSHER W/A	2	EA
7	061101	NT .750-10 HX ZY NL GR B	2	EA
8	086660	NT .375-16NLG8	2	EA
9	767954	FW 0.379X.82X.06 HD ZY	2	EA
10	124740-1	RAMP W/A RH	1	EA
11	124737-1	RAMP W/A	1	EA
12	783753	BLADE,17.86"-L-F-CW	2	EA
13	114988	SHIELD, BLADE BOLT	2	EA
14	782474	CW .678 X 2.250 X .187	2	EA
15	781872	CS .625-11X1.250HXG5	2	EA

Comments for Page: Deck

jmumford@excelii.com on Apr 19, 2018

1. Tighten to remove play on the cap screw. The pusher must rotate freely.2. Torque to 160 N•m.

Deck





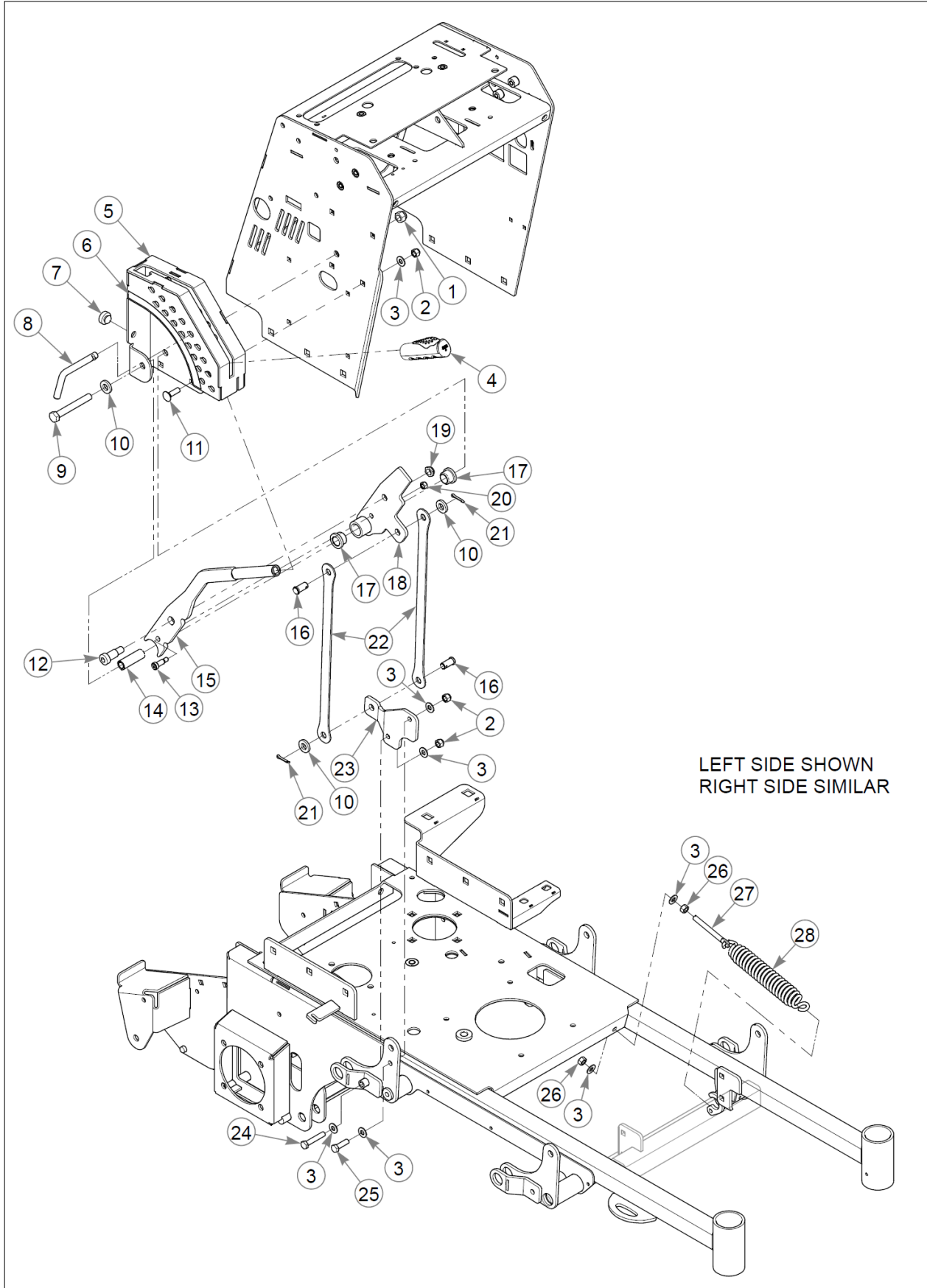
Elemento	Parte n.	Nome	Q.ta	Udm
1	058776	NT .312-18NLG5	4	EA
2	768523	FW 0.343SAE	4	EA
3	124686-1	CHUTE BRACKET, RH	1	EA
4	778399	FW .781X1.38X.25 ZY	2	EA
5	124687-1	CHUTE BRACKET, LH	1	EA
6	124685-1	BELLY PAN	1	EA
7	016253	CB .312-18X .750 FUL ZN	4	EA

Comments for Page: Dust Shield

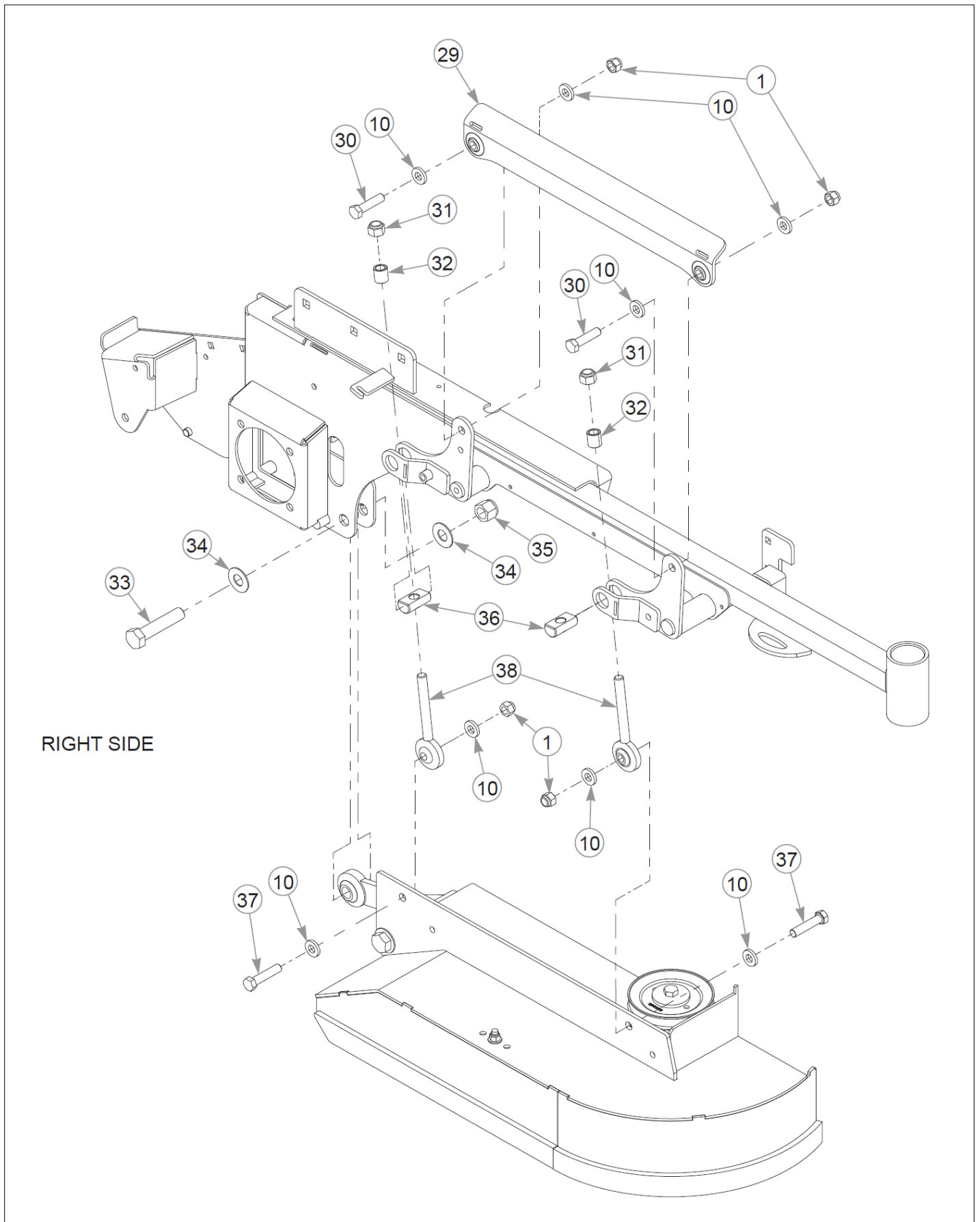
jmumford@excelii.com on Apr 19, 2018

1. Part of the Deck Lift Assembly.

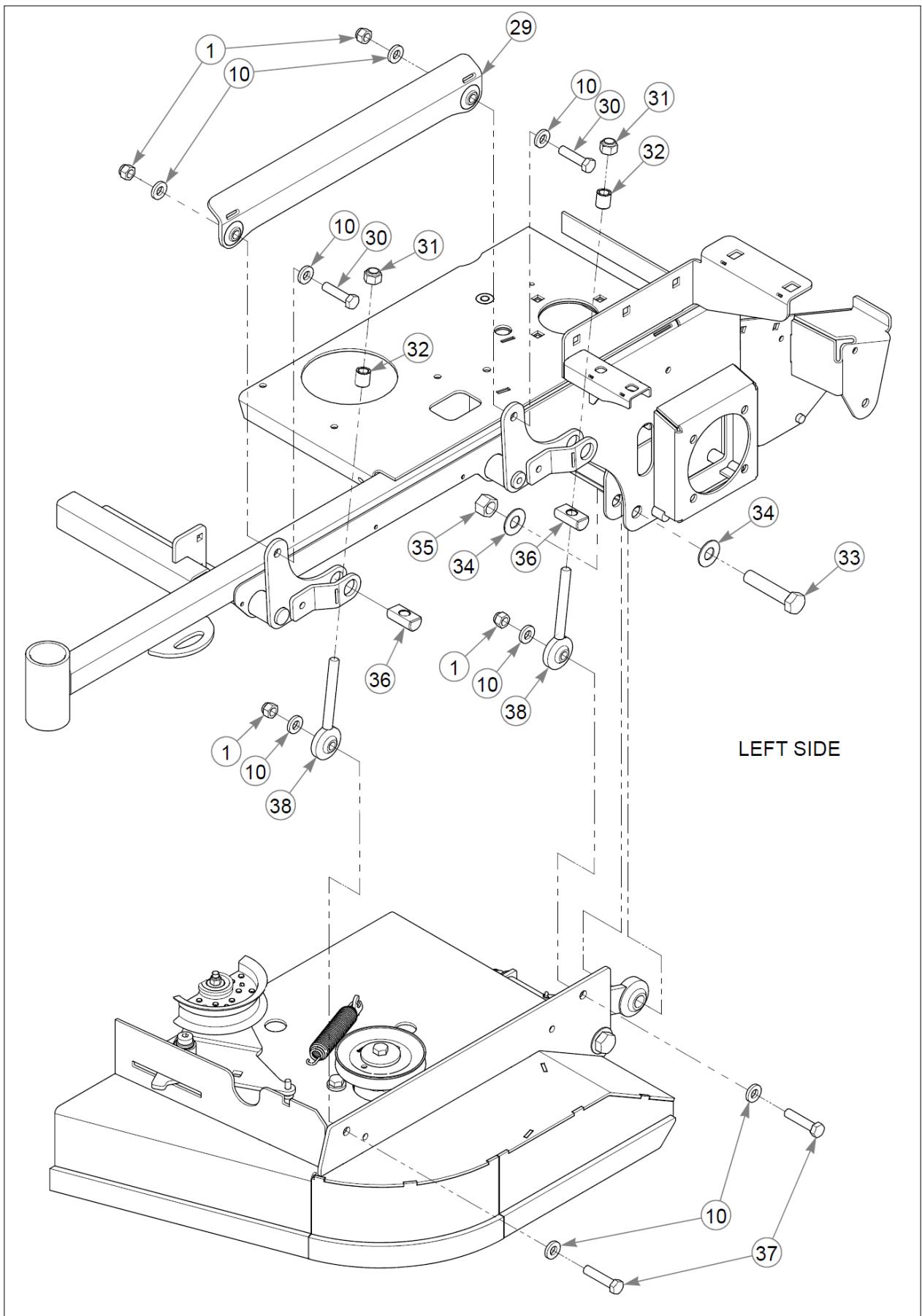
Deck



Elemento	Parte n.	Nome	Q.ta	Udm
1	781567	NT .500-13NLG5	9	EA
2	086660	NT .375-16NLG8	6	EA
3	767954	FW 0.379X.82X.06 HD ZY	10	EA
4	606257	GRIP, DECK LIFT	1	EA
5	554484	SVC, DECK HEIGHT BRKT	1	EA
6	607115	DECAL, DECK HEIGHT	1	EA
7	781880	BUMPER, .500x 1.00x .31	1	EA
8	604076	PIN, DECK HEIGHT STOP	1	EA
9	068023	CS .500-13X3.75 HX G8 ZY	1	EA
10	767962	FW .531 x 1.063 x .175	19	EA
11	603113	CB .375-16X1.250 G5 ZNC	4	EA
12	032581	SB .375X .750 SH.312-18	1	EA
13	606359	SB .625X 1.000 SH .500-1	1	EA
14	606343	DECK LEVEL SPACER	1	EA
15	124134-4	DECK LIFT HANDLE W/A	1	EA
16	047993	CE .500X1.00 .150X .85	2	EA
17	781153	BUSHING, UHMW	2	EA
18	122658	PIVOT WA,	1	EA
19	707398	NT .500-13 JAM NY LK	1	EA
20	058776	NT .312-18NLG5	1	EA
21	017251	CP .156DX1.000 LG HML Z	2	EA
22	122655	DECK LIFT LINK	2	EA
23	122605	DECK LIFT PLATE	1	EA
24	016410	CS .375-16X2.000HXG5	1	EA
25	052860	CS .375-16X1.25 HX G5 ZY	1	EA
26	054502	NT .375-16HXG5	2	EA
27	601486	EB, .375-16X3.00 FULTHD	1	EA
28	606355	SPRING, EXT 7.00 112LBS	1	EA
29	606342	DECK LIFT LINK, W/A	2	EA



Elemento	Parte n.	Nome	Q.ta	Udm
30	078949	CS .500-13X2.000 FUL HX	4	EA
31	606316	NT 0.563-18 NLGC	4	EA
32	606292	DECK LEVEL SPACER	4	EA
33	789115	CS .750-10X3.500HXG5	2	EA
34	025296	FW .760X1.63X0.08 ZY	4	EA
35	061101	NT .750-10 HX ZY NL GR B	2	EA
36	606291	DECK LEVEL PIVOT	4	EA
37	761544	CS .500-13X2.250HXG8	4	EA
38	606290	W/A DECK LEVEL ROD END	4	EA



Comments for Page: Deck Lift & Mounting Hardware (Multi-Page)

jmumford@excelii.com on Apr 19, 2018

1. The deck height weldment includes the decal.

Appendice A Indice pagine

Battery ..... 7-1

Brake ..... 4-9

Deck ..... 8-3

Deck Lift & Mounting Hardware (Multi-Page) 8-5

Deck Pulleys & Spindles ..... 8-2

Drive Wheel Breakdown ..... 5-3

Dust Shield ..... 8-4

Engine ..... 6-1

Engine Service Parts ..... 6-2

Foot Platform ..... 3-2

Frame ..... 3-1

Front Wheel Assembly Breakdown ..... 5-2

Fuel System ..... 6-3

General Information ..... 1

Hydraulic Pump Service Parts ..... 4-5

Hydraulic System ..... 4-1

Instrument Panel & Wire Harness ..... 7-2

Left Pump Assembly Breakdown ..... 4-3

Pump Drive ..... 4-7

Reservoir Assembly Breakdown ..... 4-2

Right Pump Assembly Breakdown ..... 4-4

Service Deck ..... 8-1

Steering (Multi-Page) ..... 4-8

Wheel & Tire ..... 5-1

Wheel Motor Breakdown ..... 4-6



Appendice B	Indice parti	041475	8-3
000174	4-9	041707	4-1
000323	6-3	042630	5-2
000331	4-7, 4-8, 6-3, 7-1	043570	4-1, 6-3
008193	4-1, 4-8	045088	4-8, 7-1
015495	8-3	045898	7-2
015818	6-3	047993	8-5
016253	6-1, 8-4	052860	6-3, 8-5
016410	8-5	054502	4-7, 4-8, 5-1, 8-5
016816	4-1	055822	4-8, 6-3
016832	3-2, 6-1, 6-3	055939	3-2, 7-1
016899	3-2	055947	4-1, 6-3
017244	4-9	056077	4-8
017251	8-5	058776	4-8, 4-9, 5-1, 7-1, 8-4, 8-5
017616	4-7	059832	4-8, 7-2
019521	5-3	061077	5-1
023317	4-1	061101	5-1, 8-3, 8-5
023655	4-8	063198	4-8, 4-9, 7-2
024927	4-8, 7-1	064014	4-8, 6-3, 7-2
025296	4-7, 8-3, 8-5	064329	7-2
025395	4-9, 5-1	064337	4-6
028118	8-2	064345	4-8
028274	4-1	065516	4-6
029751	3-2	068023	8-5
029868	7-1	068239	5-1
029876	6-1	068478	6-2
032581	8-5	068551	3-2
033001	6-3	076422	6-3, 8-2
034272	4-7	078949	3-2, 8-5
034280	3-2, 4-1	086660	3-2, 4-7, 4-9, 6-1, 8-2, 8-3, 8-5
034652	3-2	114052	7-2
036236	4-7	114988	8-3
036244	3-2	120249	4-8
037887	4-9, 7-1	120252	4-8

---

121930	4-8	212076	4-7
122082	3-2	212472	8-2
122241	3-2	306969	5-2
122278	8-2	553513	7-2
122340	6-1	553515	7-2
122341	6-1	553516	4-9
122388	8-2	553517	7-1
122399	6-3	554484	8-5
122481	4-1	554616	8-1
122528	4-7	554669	3-1
122572	5-1	601047	7-2
122576	5-1	601058	7-2
122580	3-2	601069	3-2, 4-2
122593	4-8	601084	4-7
122605	8-5	601097	7-2
122625	3-2	601098	7-2
122626	3-2	601486	4-7, 8-5
122629	7-1	601488	4-7
122637	6-1	601580	3-2
122655	8-5	601815	7-1
122658	8-5	601822	4-9
122662	4-9	601906	4-9
122663	3-2	602041	3-1
122671	6-3	602099	6-1
122785	3-2	602256	4-1
123269	4-9	602263	5-1
123648-1	5-2	602345	5-1
124134-4	8-5	602407	7-2
124681-4	8-3	602538	4-9
124685-1	8-4	602539	8-2
124686-1	8-4	602562	3-1
124687-1	8-4	602580	6-1
124737-1	8-3	602581	6-2
124740-1	8-3	602680	4-7

---

603057	8-2	606052	6-3
603058	6-2	606066	4-7
603059	6-2	606108	4-2
603112	6-3	606109	4-2
603113	4-9, 6-1, 8-5	606110	4-2
603326	6-3	606111	4-3
603807	6-3	606112	4-4
603846	4-9	606149	8-2
604076	8-5	606154	7-2
604222	8-1	606155	7-2
604251	6-3	606162	4-7
604255	8-2	606163	4-7
604290	4-7	606164	4-7
604323	6-3	606167	6-3
604430	7-2	606175	4-7
604816	4-8	606176	4-1
605208	4-7	606183	4-1
605259	4-3	606184	4-1
605260	4-4	606188K	4-7
605266	4-6	606189	6-1
605282	3-2	606198	4-1
605325	4-8	606200	4-1
605595	4-7	606201	4-6
605601	6-3	606215	7-2
605688	7-2	606216	8-1
605690	6-3	606218	7-2
605847	5-3	606238	4-2
605869	4-8	606249	4-2
605911	7-2	606256	4-7
605960	3-2	606257	8-5
605961	4-8, 4-8	606258	4-9
605980	4-1	606259	4-7
605985	8-2	606260	4-7
606042	6-1	606262	3-2

606263	4-1	606372	4-7
606266	4-1	606380	4-7
606267	4-1	606385	8-2
606269	4-4	606386	8-3
606270	4-4	606419	4-7
606271	4-3	606420	4-7
606272	4-3	606429	4-7
606280	4-8	606430	4-7
606281	4-8	606435	4-7
606285	4-8	606443	4-7
606286	3-2	606711	5-1
606288	4-9	606712	5-1
606290	8-5	606713	5-1
606291	8-5	606714	5-1
606292	8-5	606715	5-1
606299	4-9	606740	5-2
606303	4-9	606747	5-2
606316	8-5	606753	5-2
606323	3-1	606777	5-2
606327	4-1	606778	5-2
606328	5-1	606779	5-2
606329	5-3	606780	5-2
606342	8-5	606817	5-1
606343	8-5	606845	3-2
606345	4-9	607060	8-3
606347	4-5	607115	8-5
606348	4-5	704742	4-1
606349	4-5	704791	4-7
606350	4-5	704932	7-2
606353	4-1	705186	4-1
606355	8-5	705731	4-7, 8-2
606359	8-5	705954	8-2
606368	4-8	706168	4-8
606369	4-8	707398	8-5

712257	7-2	781872	4-7, 8-3
712893	8-2	781880	3-2, 8-5
712919	4-9	782474	8-3
713198	7-1	783753	8-3
720516	6-1	784108	4-3, 4-4
752386	8-2	785048	4-7
761544	8-5	785808	7-2
763953	4-1	787465	4-1, 4-2, 4-3, 4-4
765339	4-9	788554	4-8
767954	3-2, 4-7, 4-8, 4-9, 5-1, 6-1, 6-3, 8-3, 8-5	789115	8-5
767962	3-2, 4-1, 4-8, 4-9, 5-1, 5-2, 8-2, 8-5	793513	8-1
768127	4-1, 4-7	794644	7-1
768259	4-8, 4-9	794784	4-1
768333	4-1	794834CE	3-1
768341	4-1	796524	6-1
768515	3-2, 4-1, 4-8, 6-3, 7-2	808477	4-8
768523	3-2, 4-1, 4-7, 4-8, 4-9, 5-1, 6-1, 6-3, 7-1, 7-2, 8-4	808485	3-1, 4-8
769166	7-2		
771428	7-1		
773002	4-1		
776310	3-1		
776476	7-2		
778365	7-2		
778399	8-4		
779538	4-9		
780015	6-1		
780718	4-5		
781153	3-2, 4-7, 8-5		
781302	4-9		
781526	4-6		
781542	4-3, 4-4		
781567	3-2, 4-9, 5-1, 5-2, 8-5		
781658	4-2		